

1984 GRUMMAN OLSON KUBVAN

ILLUSTRATED PARTS MANUAL

Springs front

Steering

Rear axle beam

Brakes

Shift mechanism

Pedal clusters

Portions of this manual are copyrighted 1983
Volkswagen of America, Inc.
Reprinted by permission of VWoA

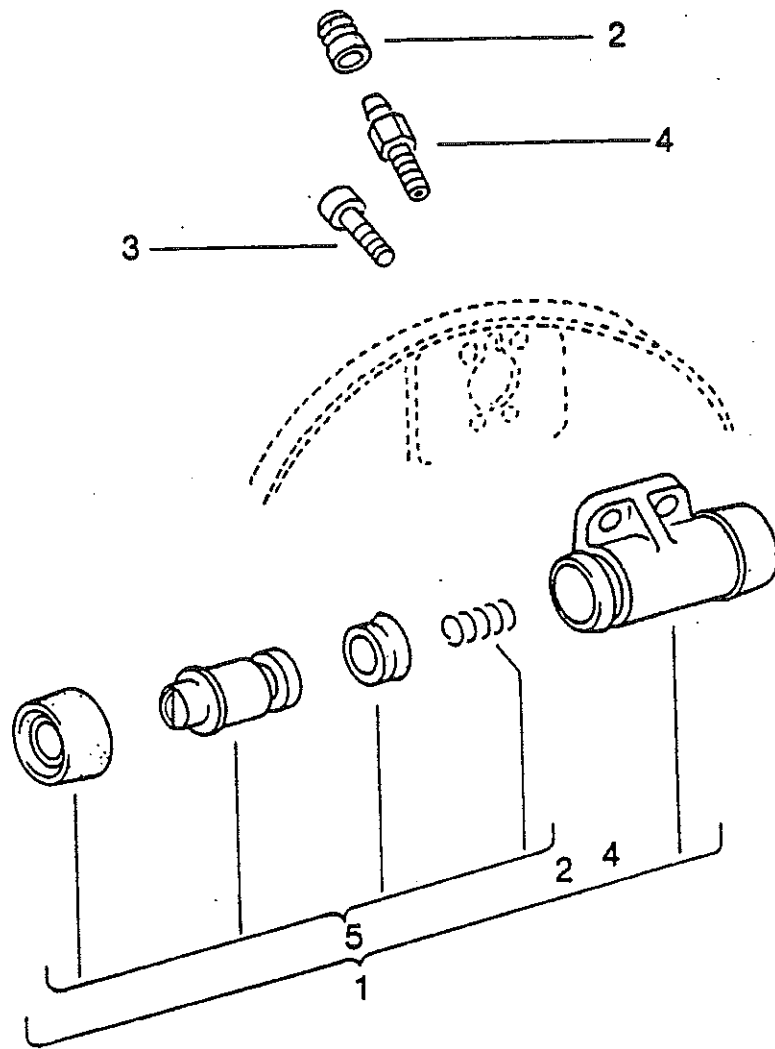


ILLUSTRATION 79
CYLINDER—WHEEL BRAKE

KEY	PART NO.	DESCRIPTION	QUANTITY
1	V331 611 051 A	CYLINDER—WHEEL BRAKE 17.46 (ATE)	2
2	V211 611 483	DUST CAP	2
3	VN 044 702 1	SCREW, CHEESE HD. M 6X8	4
4	V113 611 475	BLEEDER VALVE	2
5	V331 698 261 B	REPAIR KIT FOR WHEEL BRAKE CYLINDER 17.46 (FAG)	2
(5)	V331 698 261 A	REPAIR KIT FOR WHEEL BRAKE CYLINDER 17.46 (ATE)	2

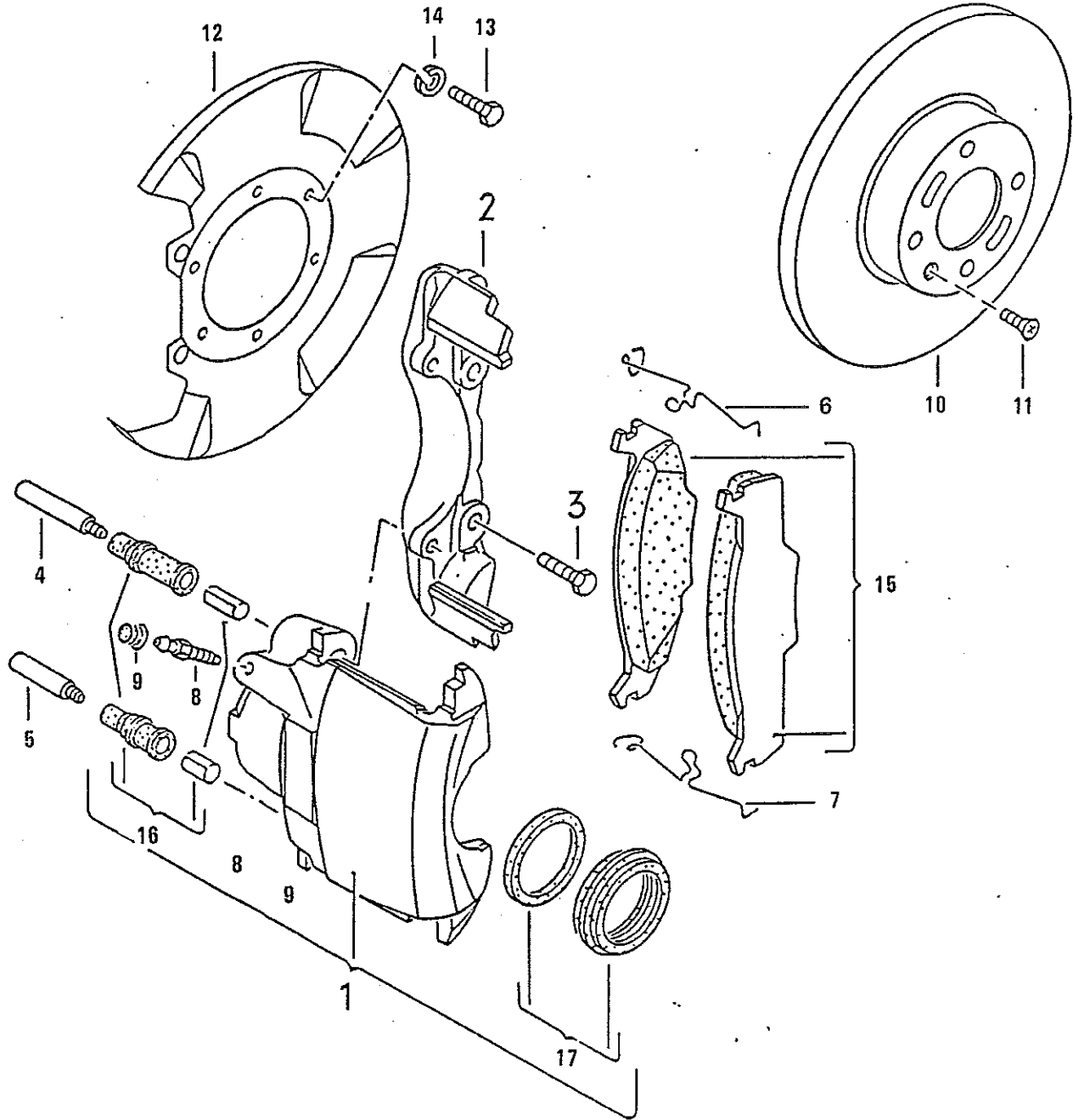


ILLUSTRATION 83
DISC BRAKES (KELSEY-HAYES)

KEY	PART NO.	DESCRIPTION	QUANTITY
1	V171 615 123	FLOATING CALIPER, LEFT	1
(1)	V171 615 124	FLOATING CALIPER, RIGHT	1
(2)	V171 698 461 HX	CALIPER SET REMANUFACTURED (SEE APPLICATION ABOVE) REPLACES 171 615 123/124	1
2	V171 615 127	ADAPTOR	2
3	VN 900 689 02	BOLT, HEX. HD. M 10X30 (SELF- LOCKING)	4
4	V171 615 219	PIN, UPPER	2
5	V171 615 219 A	PIN, LOWER	2
6	V171 615 269 A	RETAINING CLIP FOR BRAKE PADS, UPPER	2
7	V171 615 270	RETAINING CLIP FOR BRAKE PADS, LOWER	2
8	V113 615 273	BLEEDER VALVE	2
9	V211 611 483	DUST CAP	2
10	V175 615 301	BRAKE DISC	2
11	VN 014 228 1	SCREW CK, AM 6 12	2
12	V175 615 311	SPLASH SHIELD	2
13	VN 010 210 7	BOLT HEX, HD. M 6 10	6
14	VN 012 006 4	LOCK RING B 6	6
15	V175 698 151	1 SET OF BRAKE PADS (WITHOUT MOUNTING PARTS)	7
16	V171 698 447 A	REPAIR KIT FOR FLOATING CALIPER	X
17	V171 698 471 A	1 SET OF SEALS FOR FLOATING CALIPER	X

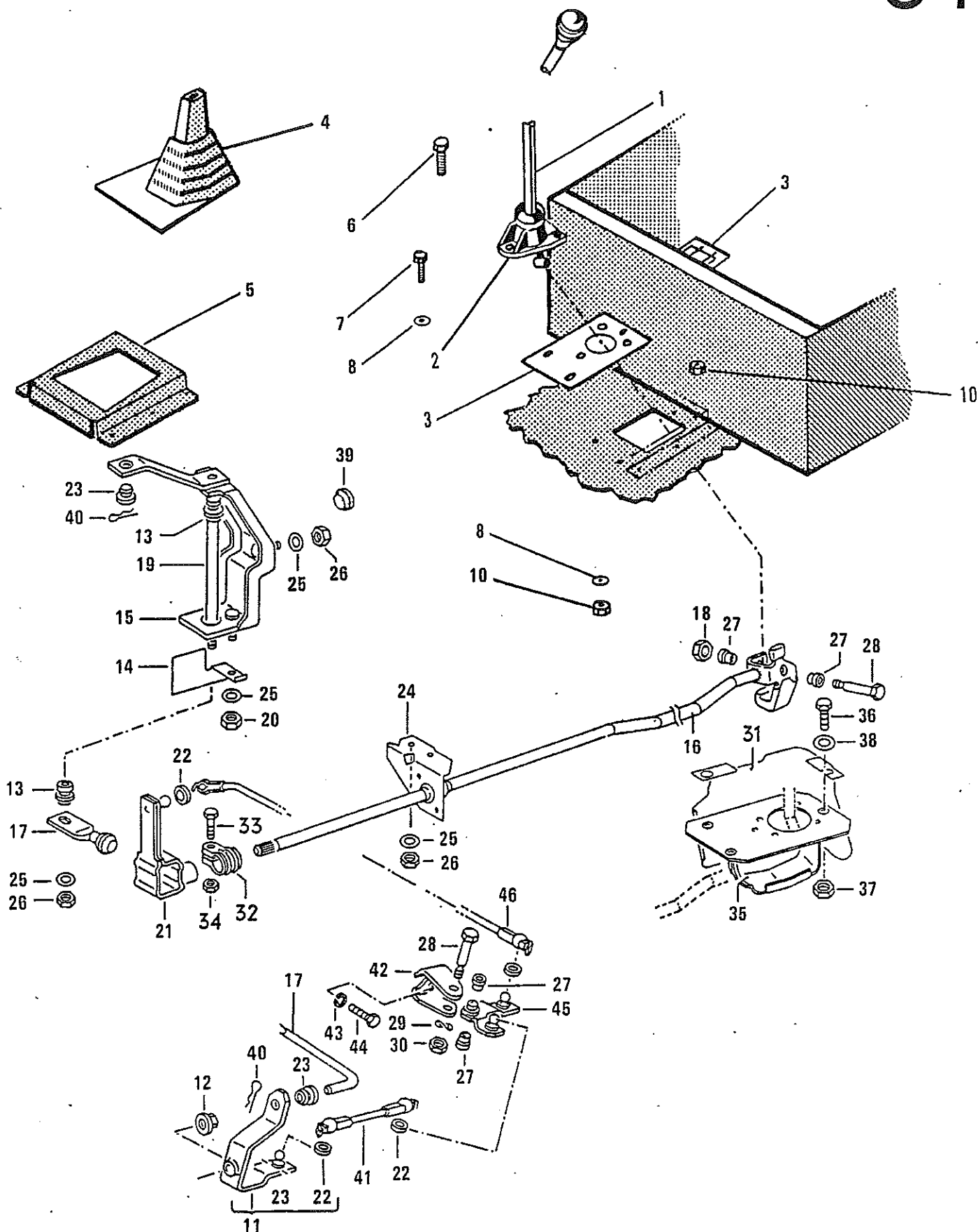


ILLUSTRATION 84

SHIFT MECHANISM—MANUAL

KEY	PART NO.	DESCRIPTION	QUANTITY
1	G1101788	SHIFTER ASSY MANUAL L.H.	
2	V171 711 247	BEARING, GEARSHIFT LEVER	
3	G11-01788	SHIFT PLATE	
4	V175711115A	CASING LINE SHIFT LEVER	
5	G82232020	TOWER—SHIFT LEVER BOOT	
6	G1117021	SCREW MACH, HEX HD CP	
7	G1117004	SCREW MACH, HEX HD CP	
8	G1117953	WASHER, FLAT, CP	
9	G1117320	NUT, SELF LOCKING CP	
10	G1117310	NUT, SELF LOCKING CP	
—	G11-03227	COVER, SHIFT MECH.	
11	V175 711 051	GEARSHIFT LEVER FRONT	1
12	V481 827 233	LOCK NUT	1
13	V171 711 067 B	BUSHING	2
14	V171 711 081	PROTECTION PLATE FOR BUSHING	1
15	V171 711 083 B	BRACKET	1
16	V171 711 151 B	GEARSHIFT ROD REAR	1
17	V171 711 163 E	RELAY LEVER FOR GEARSHIFT ROD 5 SPEED MANUAL TRANSMISSION	1
18	VN 022 148 1	NUT, HEX. SELF LOCKING M 6	1
19	V171 711 173	RELAY SHAFT FOR GEARSHIFT ROD	1
20	VN 022 146 12	NUT, HEX M 8 SELF LOCKING	1
21	V175 711 177 B	SELECTOR LEVER 5 SPEED MANUAL TRANSMISSION	1
22	V171 711 965	SEAL	4
23	V171 711 181	BUSHING	3
24	V171 711 194 G	BRACKET, FRONT FOR GEARSHIFT ROD	1
25	VN 011 525 13	WASHER A 8.4	6
26	VN 022 146 12	NUT, HEX. SELF LOCKING M8	4
27	V171 711 166	BUSHING	4
28	V171 711 199 A	FITTED BOLT	2
29	VN 012 226 5	SPRING WASHER B 6	1
30	VN 011 006 8	NUT, HEX. M 6	1
31	V171 711 229 A	HEAT SHIELD	1
32	V803 711 237 A	CLIP	1
33	VN 010 247 8	BOLT, HEX. HD. M 8X35	1
34	VN 013 003 3	LOCK NUT AND WASHER AM 8	1
35	V171 711 261 C	COVER PLATE 5 SPEED MANUAL TRANSMISSION	1
36	VN 010 222 8	BOLT, HEX. HD. M 6X22	3
37	VN 011 183 11	NUT, HEX. M 6	2
38	V803 817 121	WASHER	7
39	V411 963 259	RUBBER PLUG A 21.5	2
40	V171 711 561	SPRING	3
41	V171 711 574 B	SELECTOR ROD, FRONT 5 SPEED MANUAL TRANSMISSION	1
42	V171 711 583 A	BRACKET	1
43	VN 012 008 6	LOCK RING B 8	1
44	VN 010 239 24	BOLT, HEX. HD. M 8X18	1

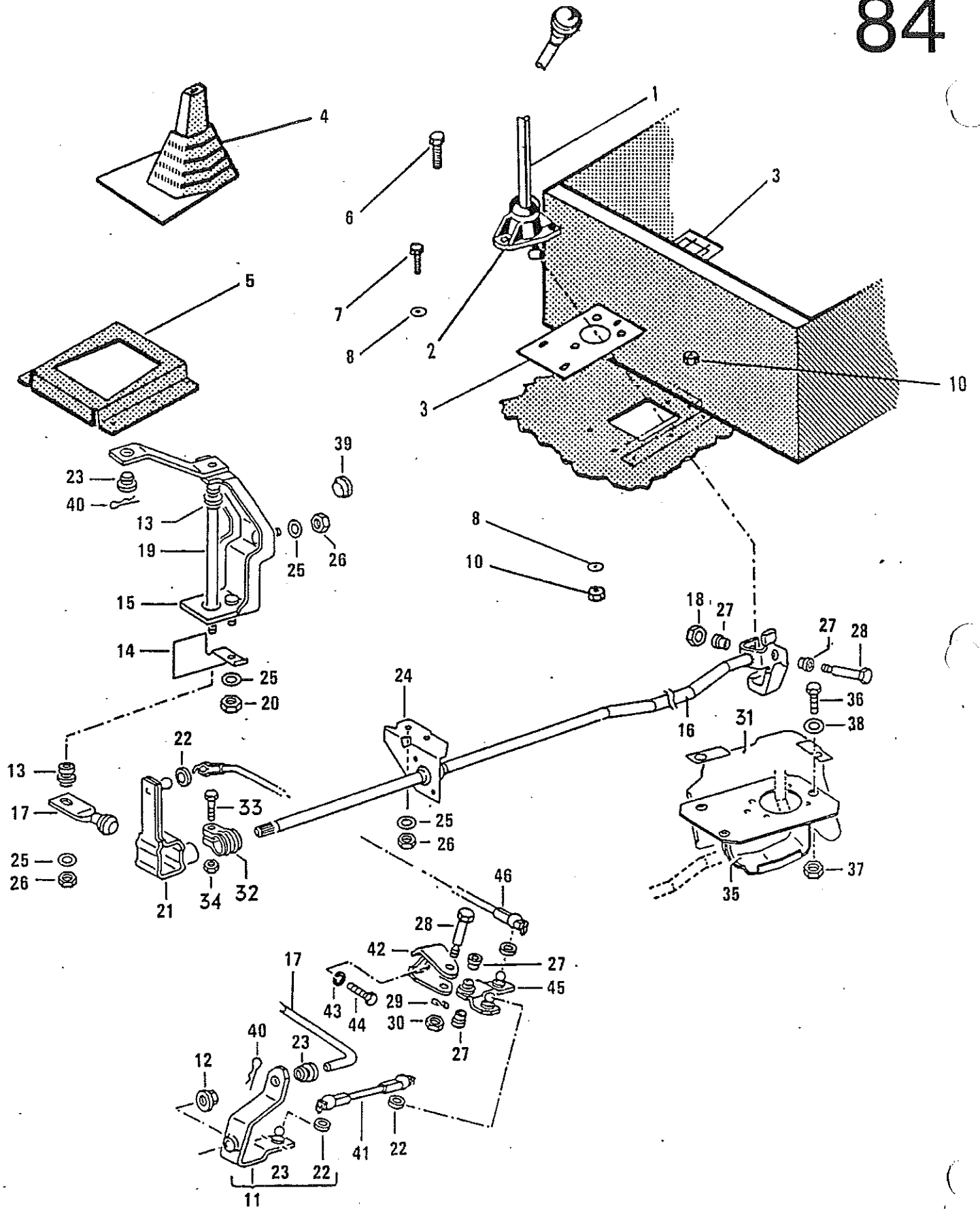


ILLUSTRATION 84 (cont'd)
SHIFT MECHANISM—MANUAL

KEY	PART NO.	DESCRIPTION	QUANTITY
45	V171 711 586 A	RELAY LEVER	1
46	V171 711 593 E	SELECTOR ROD, DIAGONAL 5 SPEED MANUAL TRANSMISSION	1

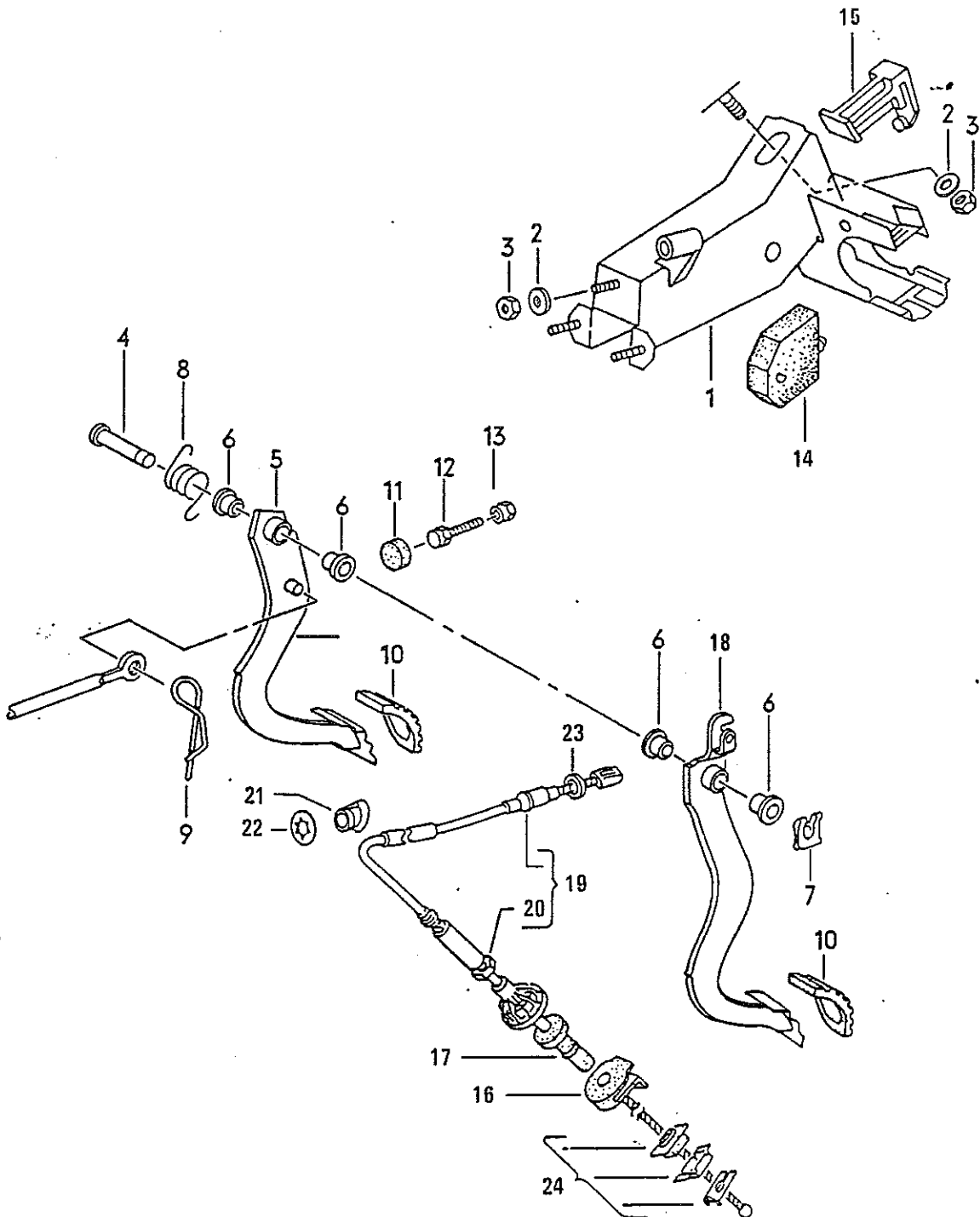


ILLUSTRATION 88

BRAKE AND CLUTCH PEDAL CLUSTER, CLUTCH CABLE FOR
VEHICLES WITH MANUAL TRANSMISSION

KEY	PART NO.	DESCRIPTION	QUANTITY
1	V175 721 111 D	BRACKET FOR PEDAL CLUSTER	1
2	V171 612 217	WASHER	2
3	VN 022 146 12	NUT, HEX. M 8, SELF LOCKING	4
4	V175 721 123 B	PIN—PEDAL	1
5	V175 721 141 B	PEDAL—BRAKE	1
6	V175 721 413	BUSHING FOR BRAKE PEDAL AND CLUTCH PEDAL	4
7	VN 012 654 1	CLIP 10	1
8	V171 721 163 C	RETURN SPRING	1
9	VN 033 974 1	CLIP—BRAKE PEDAL PIN	1
10	V823 721 173	PAD FOR PEDAL	2
11	V411 721 183	RUBBER STOP	1
12	V171 721 185	STOP SCREW	1
13	VN 011 116 5	NUT, HEX. BM 6	1
14	V175 721 231 A	RUBBER STOP FOR PEDAL CLUTCH	1
15	V175 721 232	RUBBER STOP	1
16	V171 721 307	RUBBER WASHER—CLUTCH CABLE	1
17	V171 721 308	RUBBER WASHER—CLUTCH CABLE	1
18	V175 721 319 C	PEDAL CLUTCH	1
19	V171 721 335 E	CLUTCH CABLE 795 MM—31 5/16 IN. <i>G/1103093</i>	1
20	VN 022 120 5	NUT, HEX. BM 10	1
—	V175 721 379	CLUTCH PEDAL RETURN SPRING	1
21	V171 721 380	GROMMET FOR CLUTCH CABLE	1
22	VN 900 157 01	CLAMPING WASHER 20	1
23	VN 900 158 01	SEAL 11.8X15.8	1
24	V171 798 105	1 SET ATTACHMENT PARTS FOR CLUTCH CABLE	1
—	V175 957 656 A	BRAKE LIGHT SWITCH	1
—	V175 972 160	CLIP FOR BRAKE LIGHT SWITCH	1

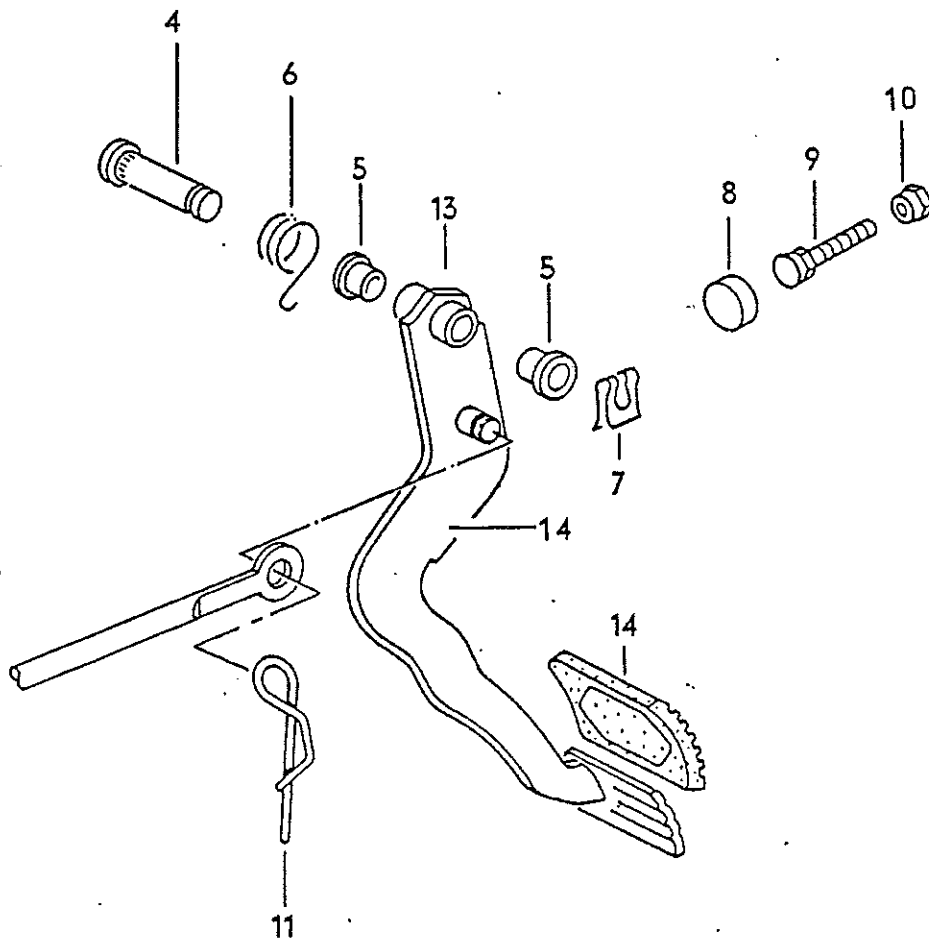
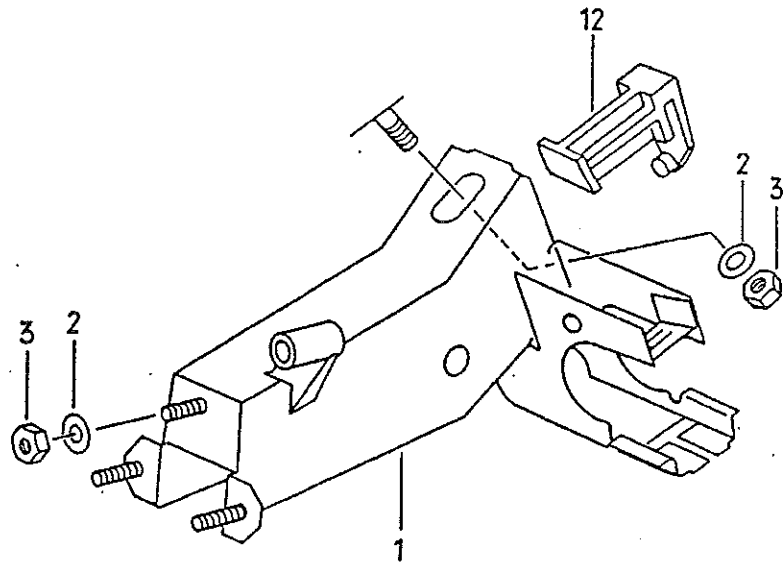


ILLUSTRATION 89

**BRAKE PEDAL CLUSTER
FOR VEHICLES WITH AUTOMATIC TRANSMISSION**

KEY	PART NO.	DESCRIPTION	QUANTITY
1	V175 721 111 D	BRACKET FOR PEDAL CLUSTER	1
2	V171 612 217	WASHER	2
3	VN 022 146 12	NUT, HEX. M 8, SELF LOCKING	4
4	V175 723 123	PIN—PEDAL	1
5	V175 721 413	BUSHING FOR BRAKE PEDAL	2
6	V171 721 163 C	RETURN SPRING	1
7	VN 012 654 1	CLIP 10	1
8	V411 721 183	RUBBER STOP	1
9	V171 721 185	STOP SCREW	1
10	VN 011 116 5	NUT, HEX. BM 6	1
11	VN 033 974 1	CLIP—BRAKE PEDAL PIN	1
12	V175 721 232	RUBBER STOP	1
13	V175 723 143 A	BRAKE PEDAL	1
14	V827 723 173 01C	PAD FOR PEDAL	1
—	V175 957 656 A	BRAKE LIGHT SWITCH	1
—	V175 972 160	CLIP FOR BRAKE LIGHT SWITCH	1

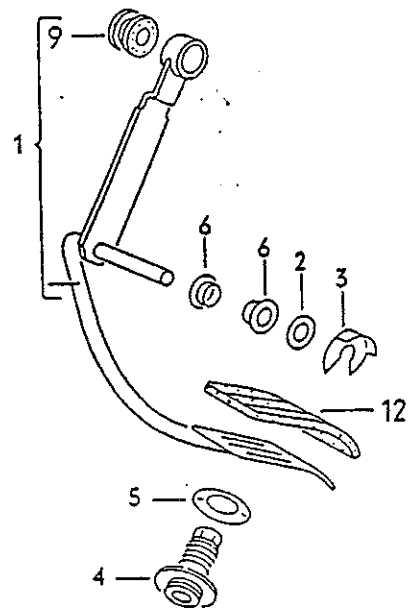
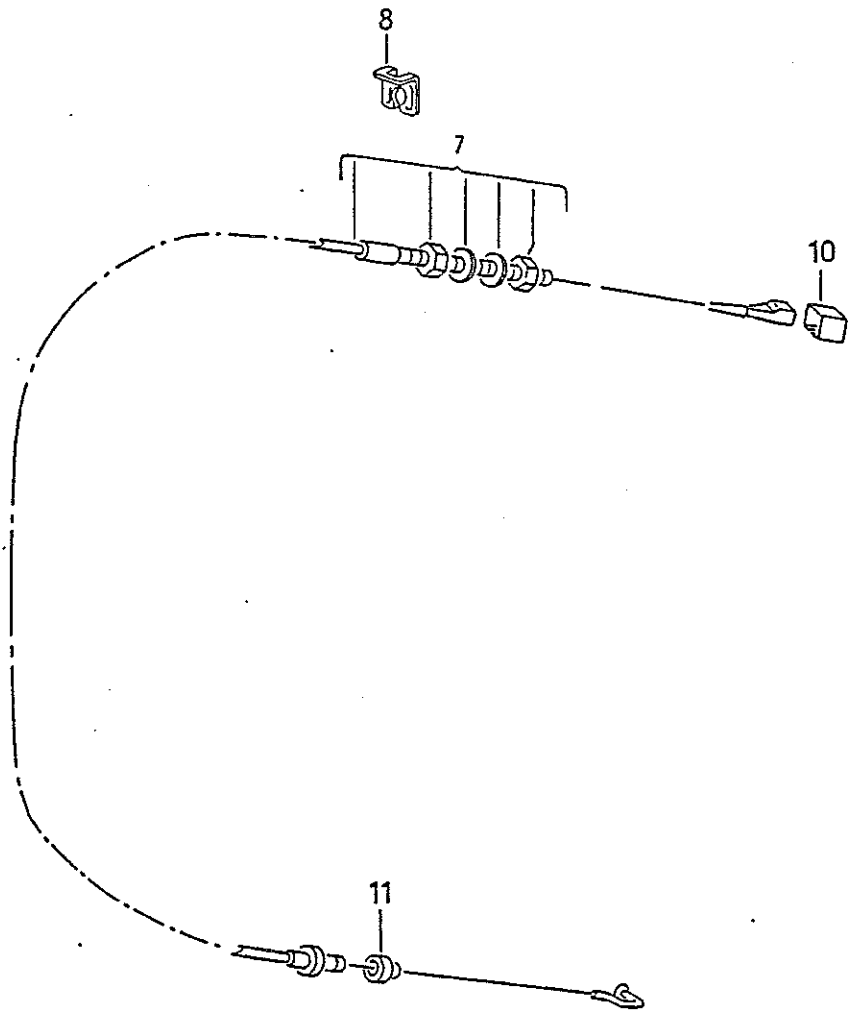


ILLUSTRATION 90

ACCELERATOR PEDAL CLUSTER,
ACCELERATOR CABLE FOR
VEHICLES WITH MANUAL TRANSMISSION

KEY	PART NO.	DESCRIPTION	QUANTITY
1	V175 721 509	PEDAL—ACCELERATOR	1
2	VN 011 696 1	WASHER B 8.1	1
3	VN 012 327 2	CIRCLIP 6 MM	1
4	V823 721 527	STOP—PEDAL ACCELERATOR	1
5	V171 723 528	ESCUTCHEON FOR STOP	1
6	V823 721 543	BUSHING	2
7	V171 721 555 L	ACCELERATOR CABLE FOR DIESEL 914 MM—36 1/2 IN.	1
8	VN 900 956 01	CLAMPING PLATE	1
9	V431 721 559	BUSHING	1
10	V171 721 570 A	CLAMP	1
11	V171 721 589 A	BUFFER	1
12	V171 721 647	CAP FOR PEDAL—ACCELERATOR	1

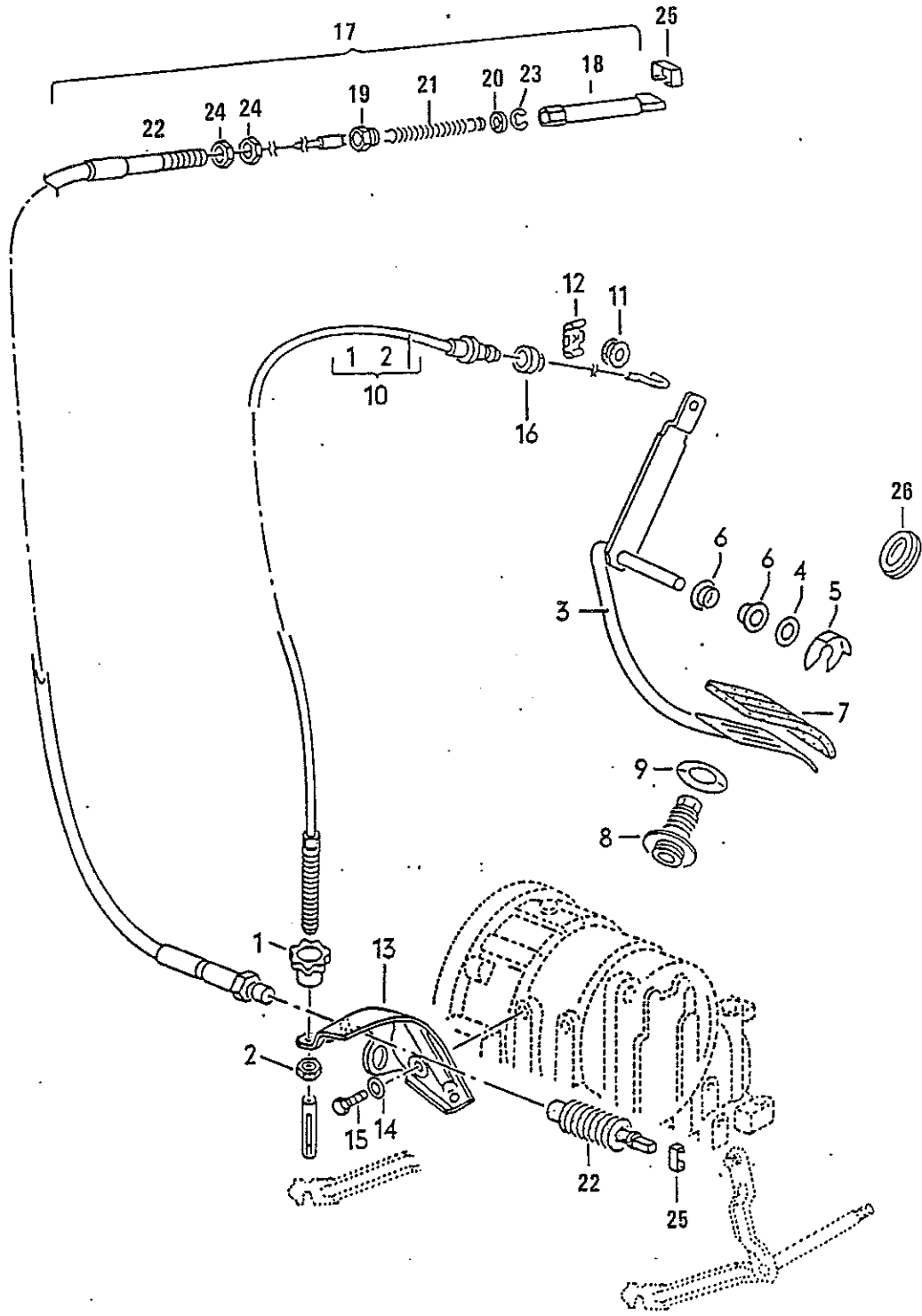


ILLUSTRATION 91

ACCELERATOR PEDAL CLUSTER, ACCELERATOR CABLE
FOR VEHICLES WITH AUTOMATIC TRANSMISSION

KEY	PART NO.	DESCRIPTION	QUANTITY
1	V171 723 349	ADJUSTING NUT FOR ACCELERATOR CABLE	1
2	VN 011 010 11	NUT, HEX. M 10	1
3	V175 723 509	PEDAL—ACCELERATOR	1
4	VN 011 696 1	WASHER B 8.1	1
5	VN 012 327 2	CIRCLIP 6 MM	1
6	V823 721 543	BUSHING	2
7	V171 721 647	CAP FOR PEDAL	1
8	V171 723 527	STOP—PEDAL ACCELERATOR	1
9	V171 723 528	ESCUTCHEON FOR STOP	1
10	G11-03165	ACCELERATOR CABLE 1004 MM—39 17/32 IN. (MARKED GRAY)	1
11	V823 721 567	BEARING	1
12	V171 721 563	CLAMP	1
13	V171 723 583 A	BRACKET	1
14	VN 011 525 13	WASHER A 8.4	1
15	VN 010 240 16	BOLT, HEX. HD. M 8X20	1
16	V171 723 589 A	BUFFER	1
17	V010 321 307 B	BOWDEN CABLE	1
18	V010 321 316 A	BALL JOINT	1
19	V010 321 312	NUT	1
20	V010 321 314	WASHER	1
21	V010 321 319 C	PRESSURE SPRING	1
22	V010 321 321	BOOT	1
23	VN 012 434 2	SPRING WASHER 4	1
24	VN 011 157 1	NUT, HEX. M 10X1	2
25	V171 721 570 A	CLAMP	1
26	V171 957 857	GROMMET FOR CLUTCH CABLE OPENING	1

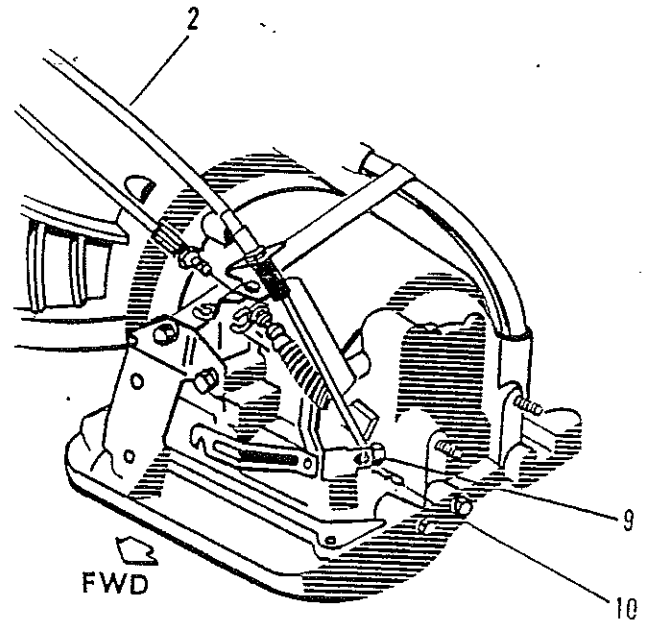
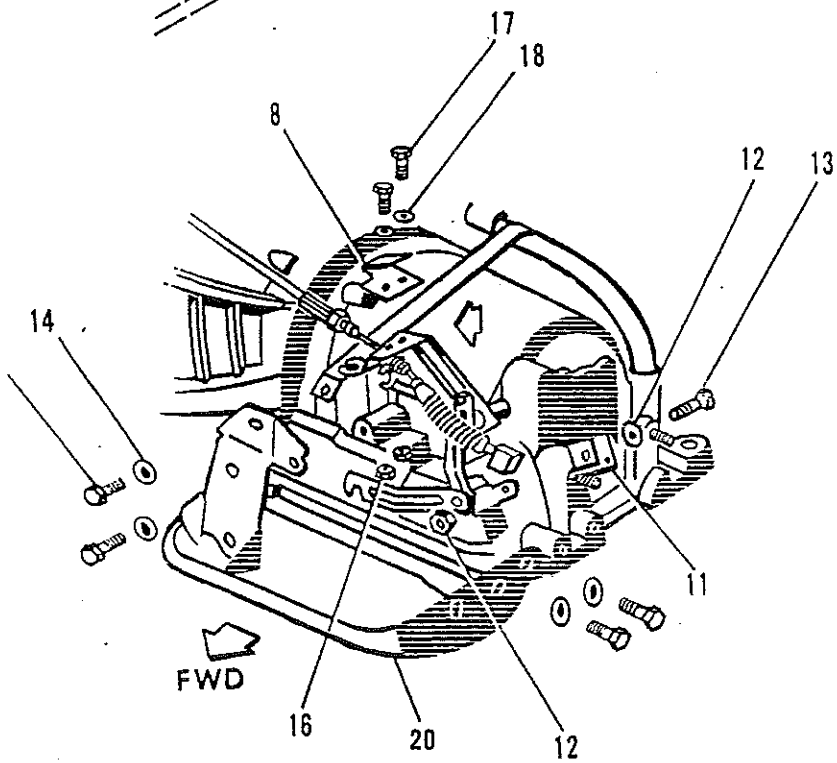
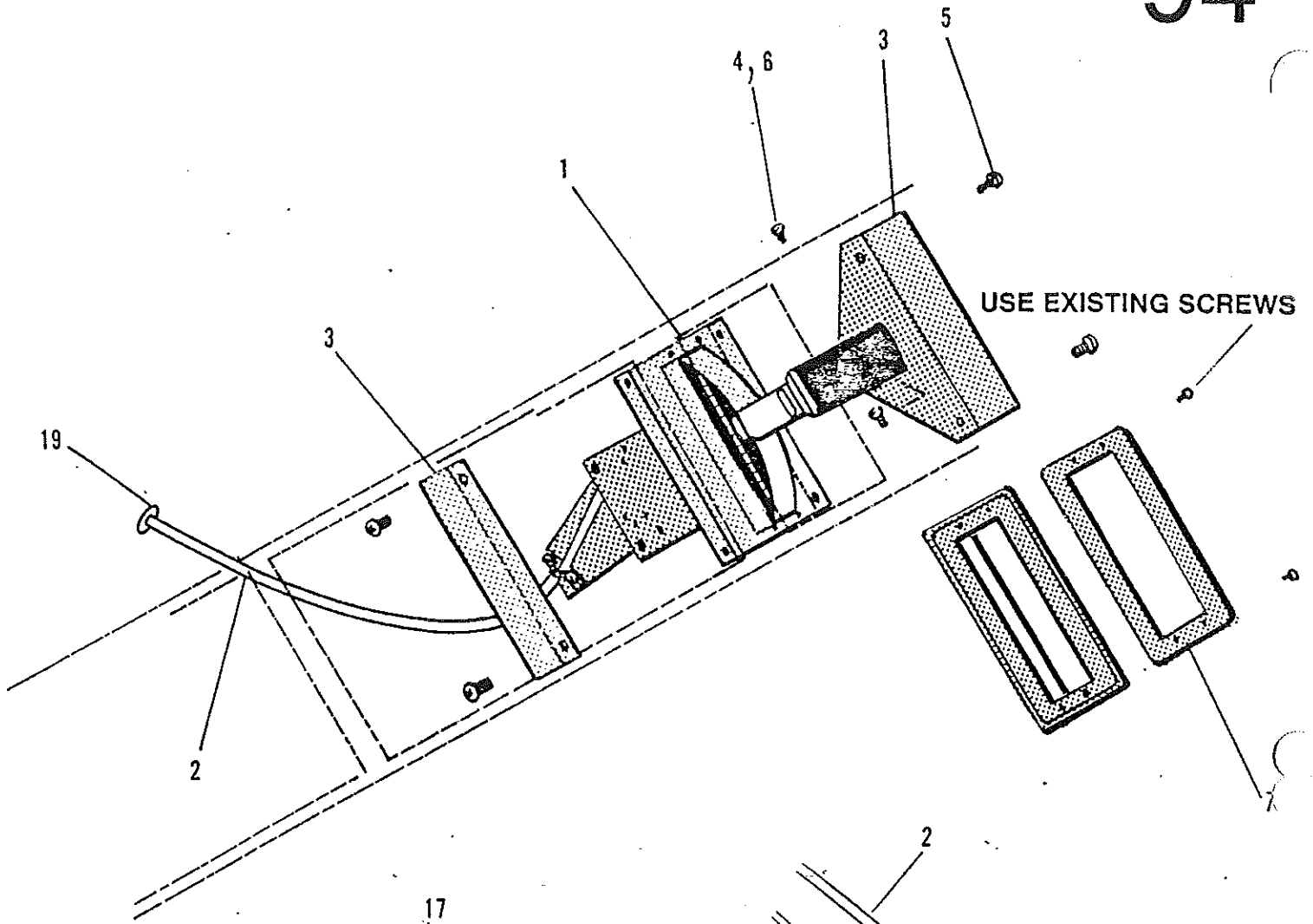


ILLUSTRATION 94
SHIFT MECHANISM—AUTO

KEY	PART NO.	DESCRIPTION	QUANTITY
1	G1101696	CONTROL	1
2	G1101697	CABLE	1
3	G82232014	BRKT SHIFT ANGLE	1
4	G1117724	TRUSS HD SCR	X
5	G1117764	SCREW MACH TR. DH	2
6	G1117337	LOCK NUT	X
7	G822320172	COVER SHIFT LEVER	1
8	G82232013	MTG BRKT SHIFT CABLE	1
9	G1101698	PIVOT	1
10	G1117328	PIN COTTER STD	1
11	G82232010	BRKT ASM SHIFT LEVER	1
12	G1117958	WASHER FLAT	1
13	G1117824	SCREW HEX HD	1
14	VN012230.1	WASHER FLAT	2
15	VN010254.2	SCREW HEX HD	2
16	G1117336	NUT HEX HD	1
17	G1117816	SCREW HEX HD	2
18	G1117953	WASHER FLAT	2
19	G1107072	GROMMET	1
20	V171399291	PROTECTIVE PLATE ASSEMBLY	1

3

3

3

REPAIR KITS

KEY	PART NO.	DESCRIPTION	QUANTITY
—	V171 798 105	1 SET OF SECURING PARTS FOR CLUTCH CABLE	

