

# 1984 GRUMMAN OLSON KUBVAN

## ILLUSTRATED PARTS MANUAL

Engine mounts

Fuel tank

Exhaust

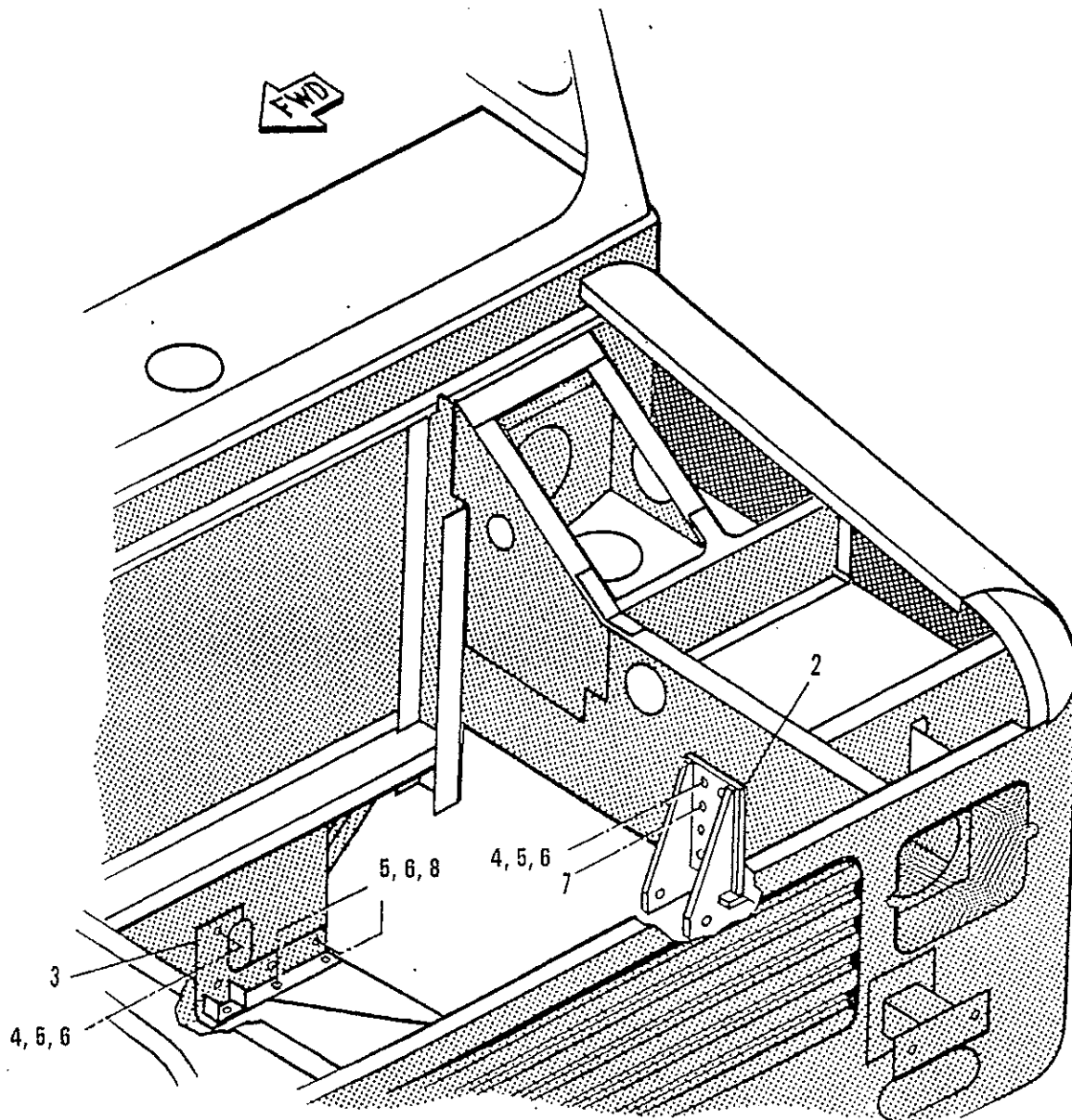
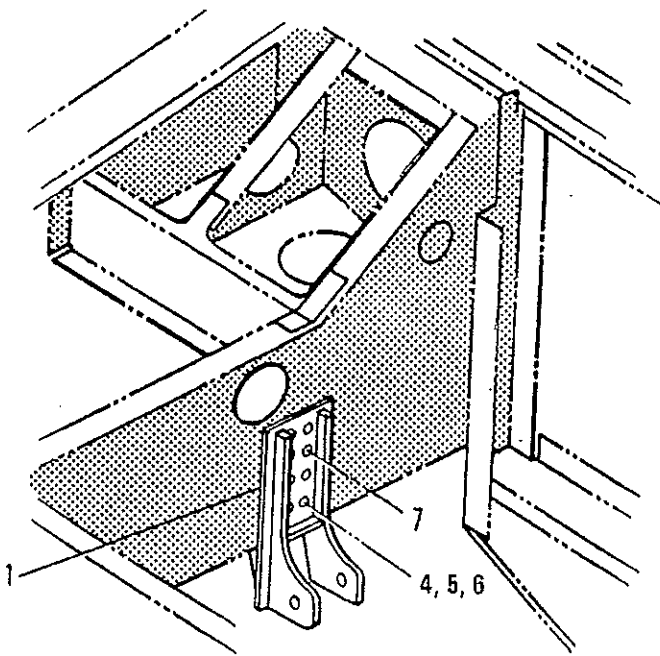
Transmissions manual 5 speed

Transmissions Automatic

Drive shafts

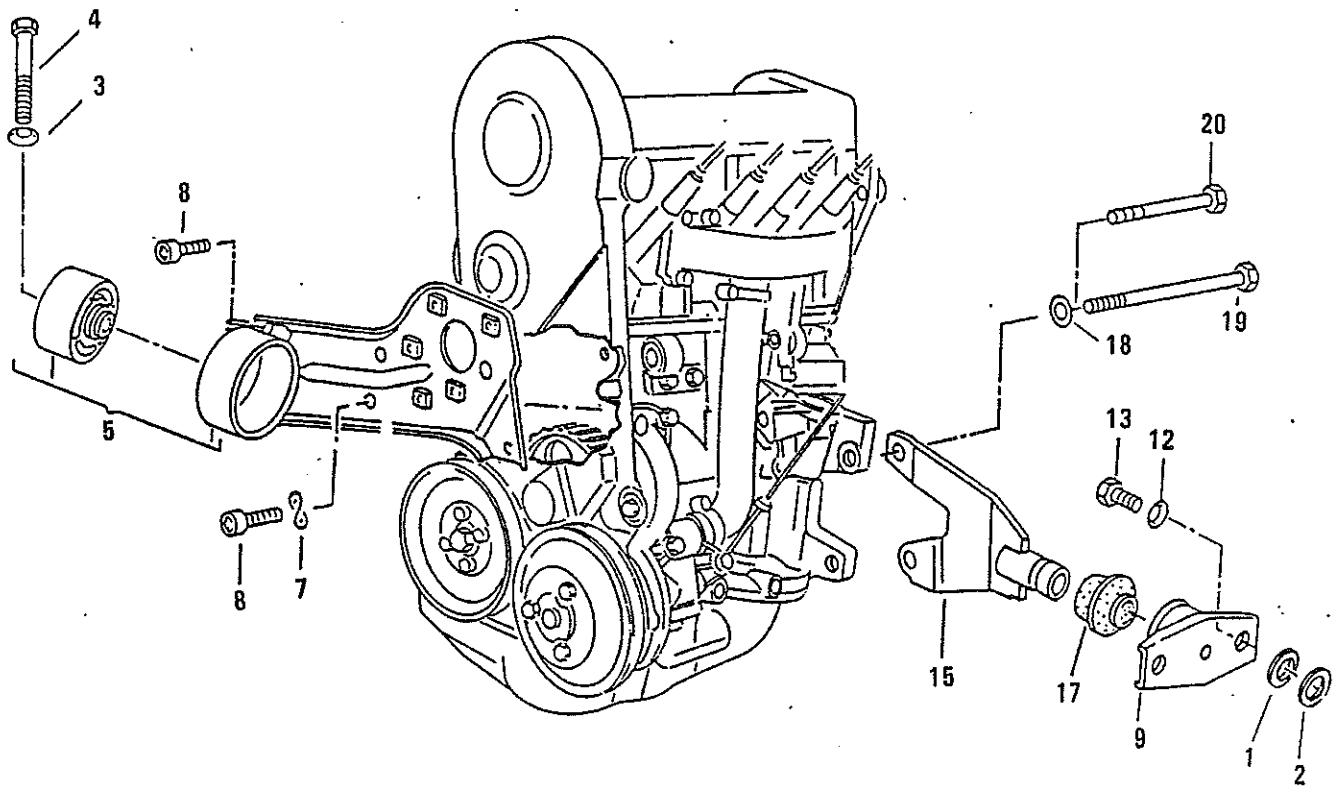
Differentials

Portions of this manual are copyrighted 1983  
Volkswagen of America, Inc.  
Reprinted by permission of VWoA



**ILLUSTRATION 34**  
**ENGINE MOUNT BRACKETS**

KEY	PART NO.	DESCRIPTION	QUANTITY
1	G82209002	ENGINE MOUNT—WELDED RH	1
2	G82209003	MOTOR MOUNT—WELDED LH	1
3	G82209004	MOTOR MOUNT—WELDED REAR	1
4	G1117837	SCREW—MACH. HEX HD. CP	X
5	G1117955	WASHER—FLAT STD. CP	X
6	G1117955	WASHER—FLAT STD. CP	X
7	G1117359	RIVET—AL. STD. BR. HD.	X
8	G1117842	SCREW—MACH. HEX HD. CP	X



**ILLUSTRATION 35**  
**ENGINE MOUNTING BRACKETS**

KEY	PART NO.	DESCRIPTION	QUANTITY
1	G1117957	WASHER A 10.5	2
2	G1117322	NUT, HEX. 375-16	2
3	V175 399 169	CONCAVE WASHER	1
4	VN 010 472 4	BOLT, HEX. HD. M 10X85	1
5	V175199 301 A	MOUNTING BRACKET, RIGHT	1
7	VN 012 241 11	SPRING WASHER B 8X15	4
8	VN 014 709 1	SCREW, CHEESE HD. M 8X22	4
9	V171 199 319 A	FLANGE	1
11	V111 857 707 A	WASHER 11.5X30	2
12	G1117942	CONCAVE WASHER	2
13	G1117055	BOLT, HEX. HD. M 10X25	2
14	VN 010 258 4	BOLT, HEX. HD. M 10X28	2
15	V171 199 331 F	MOUNTING BRACKET, FRONT ALSO USE 175 199 339	1
17	V171 199 339	RUBBER STOP	1
18	VN 011 560 2	WASHER 10.5	2
19	VN 044 760 1	BOLT, HEX. HD. M 10X135 FOR MANUAL TRANSMISSION	2
20	VN 010 472 4	BOLT, HEX. HD. M 10X85 FOR AUTOMATIC TRANSMISSION	2

## REPAIR KITS

KEY	PART NO.	DESCRIPTION	QUANTITY
	V068 198 011	SET OF GASKETS FOR ENGINE "JK" CONSISTING OF:	
	V056 103 051 D	SEAL 105X85	1
	V068 103 085 A	SEAL	2
	V056 103 161	GASKET	1
	V052 103 181	GASKET	1
	V056 103 483D	GASKET	1
	V056 103 489 A	SEALING STRIP	1
	V049 103 491	HALF-ROUND GASKET	1
	V056 103 609 B	GASKET	1
	V056 115 037	SEAL	1
	V049 115 441	GASKET	1
	V059 115 625	SEAL	1
	V059 121 119	SEAL	2
	V059 127 311 A	GASKET	1
	VN 013 807 1	SEAL A 8X11.5	1
	V068 130 787 A	GASKET	4
	V068 145 119	SEALING WASHER	1
	VN 013 812 2	SEAL A 12X15.5	4
	VN 013 814 1	SEAL A 14X18	2
	VN 013 830 2	GASKET	2
	VN 902 292 01	SEAL A 14X20 ALSO USE IF REQUIRED 056 103 400 STUD W/ SEAT—8 REQUIRED	1
	V068 198 012 A	1 SET OF GASKETS FOR CYLINDER HEAD "JK" CONSISTING OF:	
	V068 103 085 A	SEAL	1
	V056 103 483 D	GASKET	1
	V056 103 489 A	SEALING STRIP	1
	V049 103 491	HALF-ROUND GASKET	1
	V035 109 675	SEAL-VALVE STEM	8
	V052 121 091	GASKET	1
	V056 121 149	GASKET	1
	V056 129 589	GASKET	4
	V049 129 717 A	GASKET	1
	V068 130 219	SEALING WASHER	4
	VN 013 807 1	GASKET A 8X11.5	1
	V068 130 787 A	GASKET, ALSO USE IF REQUIRED 056 103 400 STUD W/SEAT—8 REQUIRED	4
	V068 198 012 B	1 SET OF GASKETS FOR REBUILT CYLINDER HEAD "JK" CONSISTING OF:	
	V056 103 483 C	GASKET	1
	V056 103 489 A	SEALING STRIP	1
	V049 103 491	HALF-ROUND GASKET	1
	V052 121 091	GASKET	1
	V056 121 149	GASKET	1
	V056 129 589	GASKET	4
	V049 129 717 A	GASKET	1

### REPAIR KITS (cont'd)

KEY	PART NO.	DESCRIPTION	QUANTITY
	V068 130 219	SEALING WASHER	4
	VN 013 807 1	GASKET A 8X11.5	1
	V068 130 787 A	GASKET	4
	V068 198 012 C	1 SET OF GASKETS FOR REBUILT CYLINDER HEAD WITH 056 103 400 STUD WITH SEAT "JK" CONSISTING OF:	
	V056 103 483 D	GASKET	1
	V056 103 489 A	SEALING STRIP	1
	V049 103 491	HALF-ROUND GASKET	1
	V052 121 091	GASKET	1
	V056 121 149	GASKET	1
	V056 129 589	GASKET	4
	V049 129 717 A	GASKET	1
	V068 130 219	SEALING WASHER	4
	VN 013 807 1	GASKET A 8X11.5	1
	V068 130 787 A	GASKET	4
		1 SET OF CYLINDER HEAD COVER GASKETS CONSISTING OF:	
	V056 103 483 C	CYLINDER HEAD COVER GASKET	1
	V056 103 489 A	SEALING STRIP	1
	V049 103 491	HALF-ROUND GASKET	1
	V056 198 025 A	1 SET OF CYLINDER HEAD COVER GASKETS CONSISTING OF:	1
	V056 103 483 D	CYLINDER HEAD COVER GASKET	1
	V056 103 489 A	SEALING STRIP	1
	V049 103 491	HALF-ROUND GASKET	1
	V171 198 121	BRACKET KIT FOR INSTALLING RADIATOR	1
	V068 198 151 A	1 SET OF PISTON RINGS 76.50 "JK" CONSISTING OF:	
		PISTON RING, UPPER	1
		PISTON RING, LOWER	1
		OIL SCRAPPER RING	1
	V068 198 153 A	1 SET OF PISTON RINGS 76.75 OVERSIZE "JK" CONSISTING OF:	
		PISTON RING, UPPER	1
		PISTON RING, LOWER	1
		OIL SCRAPPER RING	1
	V068 198 155 A	1 SET OF PISTON RINGS 77.00 OVERSIZE "JK" CONSISTING OF:	
		PISTON RING, UPPER	1
		PISTON RING, LOWER	1
		OIL SCRAPPER RING	1
	V068 198 157 A	1 SET OF PISTON RINGS 77.50 OVERSIZE "JK" CONSISTING OF:	
		PISTON RING, UPPER	1
		PISTON RING, LOWER	1
		OIL SCRAPPER RING	1

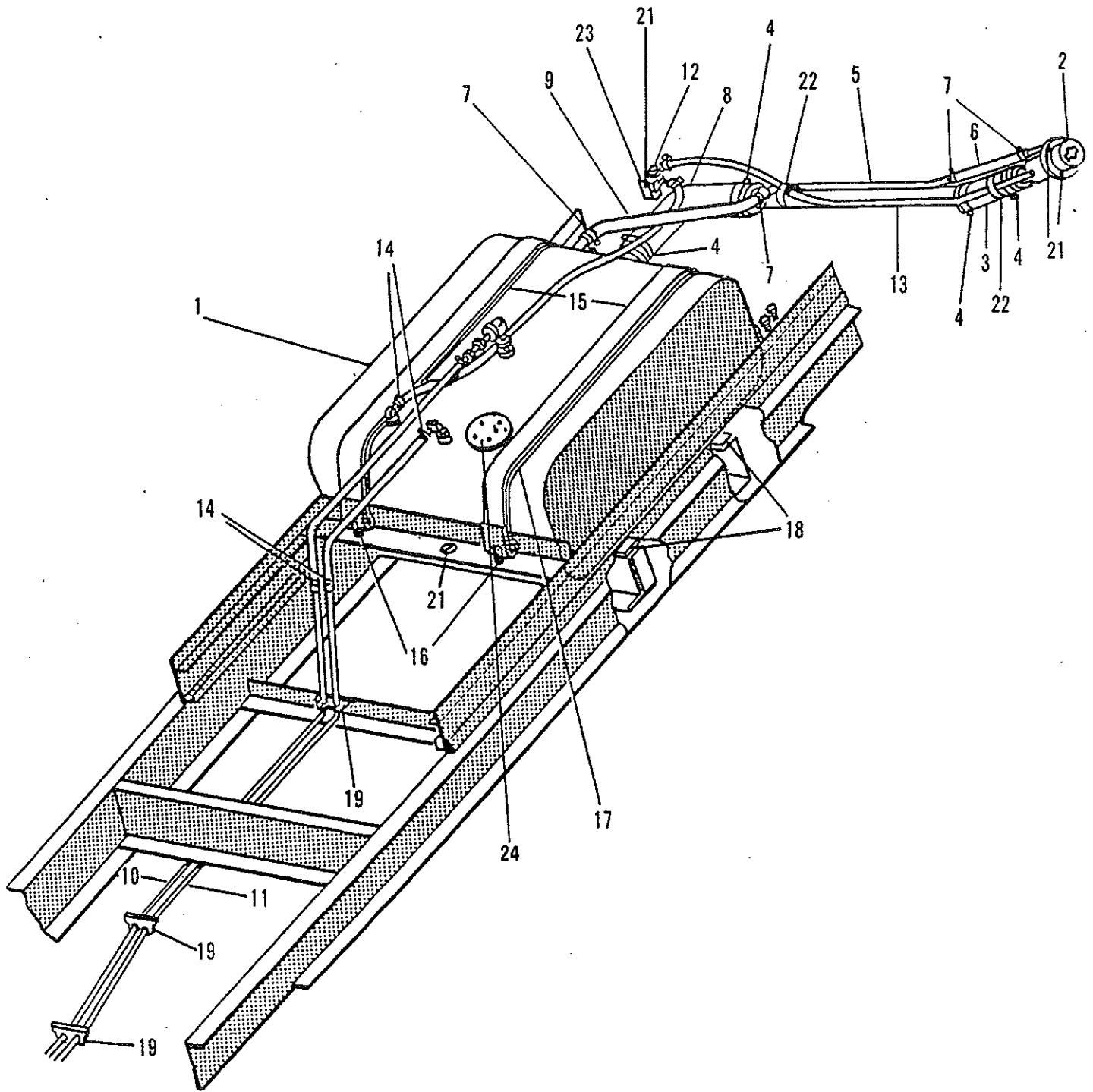
### REPAIR KITS (cont'd)

KEY	PART NO.	DESCRIPTION	QUANTITY
	V068 198 157 A	1 SET OF PISTON RINGS 77.50 OVERSIZE CONSISTING OF: PISTON RING, UPPER	1
		PISTON RING, LOWER	1
		OIL SCRAPER RING	1
	V068 198 401	1 SET OF CONNECTING RODS "JK CY: TURBO" CONSISTING OF: CONNECTING ROD COMPLETE	4
	V056 198 451 A	1 SET OF CRANKSHAFT BEARINGS CONSISTING OF:	
	V056 105 501 B	BEARING SHELL, UPPER, BEARING 3	1
	V056 105 531 A	BEARING SHELL, LOWER, BEARING 3	1
	V056 105 561 B	BEARING SHELL, UPPER, BEARING 1,2,4,5	4
	V056 105 591 A	BEARING SHELL, LOWER, BEARING 1,2,4,5	4
	V056 198 453 A	1 SET OF CRANKSHAFT BEARINGS 0.25 U.S. CONSISTING OF:	
	V056 105 507 B	BEARING SHELL, UPPER, BEARING 3	1
	V056 105 537	BEARING SHELL, LOWER, BEARING 3	1
	V056 105 567 B	BEARING SHELL, UPPER, BEARING 1,2,4,5	4
	V056 105 597	BEARING SHELL, LOWER, BEARING 1,2,4,5	4
	V056 198 455 A	1 SET OF CRANKSHAFT BEARINGS 0.50 U.S. CONSISTING OF:	
	V056 105 513 B	BEARING SHELL, UPPER, BEARING 3	1
	V056 105 543	BEARING SHELL, LOWER, BEARING 3	1
	V056 105 573 B	BEARING SHELL, UPPER, BEARING 1,2,4,5	4
	V056 105 603	BEARING SHELL, LOWER, BEARING 1,2,4,5	4
	V056 198 457 A	1 SET OF CRANKSHAFT BEARINGS 0.75 U.S. CONSISTING OF:	
	V056 105 519 B	BEARING SHELL, UPPER, BEARING 3	1
	V056 105 549	BEARING SHELL, LOWER, BEARING 3	1
	V056 105 579 B	BEARING SHELL, UPPER, BEARING 1,2,4,5	4
	V056 105 609	BEARING SHELL, LOWER, BEARING 1,2,4,5	4
	V056 198 501 A	1 SET OF CONNECTING ROD BEARING SHELLS CONSISTING OF:	
	V069 105 701 A	CONNECTING ROD BEARING SHELLS	8
	V068 198 503	1 SET OF CONNECTING ROD BEARING SHELLS 0.25 U.S. CONSISTING OF:	
	V069 105 707 A	CONNECTING ROD BEARING SHELLS	8
	V068 198 505	1 SET OF CONNECTING ROD BEARING SHELLS 0.50 U.S. CONSISTING OF:	



### REPAIR KITS (cont'd)

KEY	PART NO.	DESCRIPTION	QUANTITY
	V069 105 713 A	CONNECTING ROD BEARING SHELLS	8
	V056 198 593	THERMOSTAT 87-102 AND THERMO SWITCH CONSISTING OF:	
	V056 121 113 D	THERMOSTAT	1
	V059 121 119	SEALING WASHER	1
	V175 959 481	THERMO SWITCH	1
	VN 043 808 2	SEALING WASHER A 22X29	1



# ILLUSTRATION 36

## FUEL SYSTEM

KEY	PART NO.	DESCRIPTION	QUANTITY
1	G82231001	FUEL TANK ASS'Y	1
2	G11-01607	NECK—FUEL FILL	1
3	G11-01606	HOSE—NECK TO TUBE	1
4	G11-01610	CLAMP—FILL HOSE	4
5	G11-01605	FUBE—FILL/VENT	1
6	G82230016	HOSE—VENT TO TUBE	1
7	G11-01611	CLAMP—VENT HOSE	3
8	G11-01606	HOSE FILL ELBOW	1
9	G82230019	HOSE—VENT TUBE/TANK	1
10	G11-01782	LINE—FUEL SUPPLY	1
11	G11-01783	LINE—FUEL RETURN	1
12	V82230023	VALVE—ROLLOVER/VENT	1
13	G82230024	HOSE—OVERFLOW	1
14	G1103015	CLAMP—FUEL LINE	4
15	G82230025	STRAP ASS'Y	2
(15)	G82230026	STRAP	2
16	G11-01615	T-BOLT	4
(16)	G11-17938	WASHER	4
(16)	G11-17315	NUT—SELF LOCK	4
17	G1118100	DIALECTRIC TAPE	X
18	G1107096	RUBBER—ANTISQUEAK	X
19	G11-01616	FUEL LINE CLIP	X
20	G11-17800	MACH SCREW SS	X
21	G11-17971	WASHER LOCK	X
(21)	G11-17303	NUT HEX	X
(21)	G11-17790	MACH SCREW SS	X
22	G11-11099	TY WRAP	X
23	G82230010	BRACKET, ROLLOVER VALVE	1
24	G11-01601	SENDER, FUEL W/GASKET	1
—	G11-01608	CAP, FUEL FILL	1

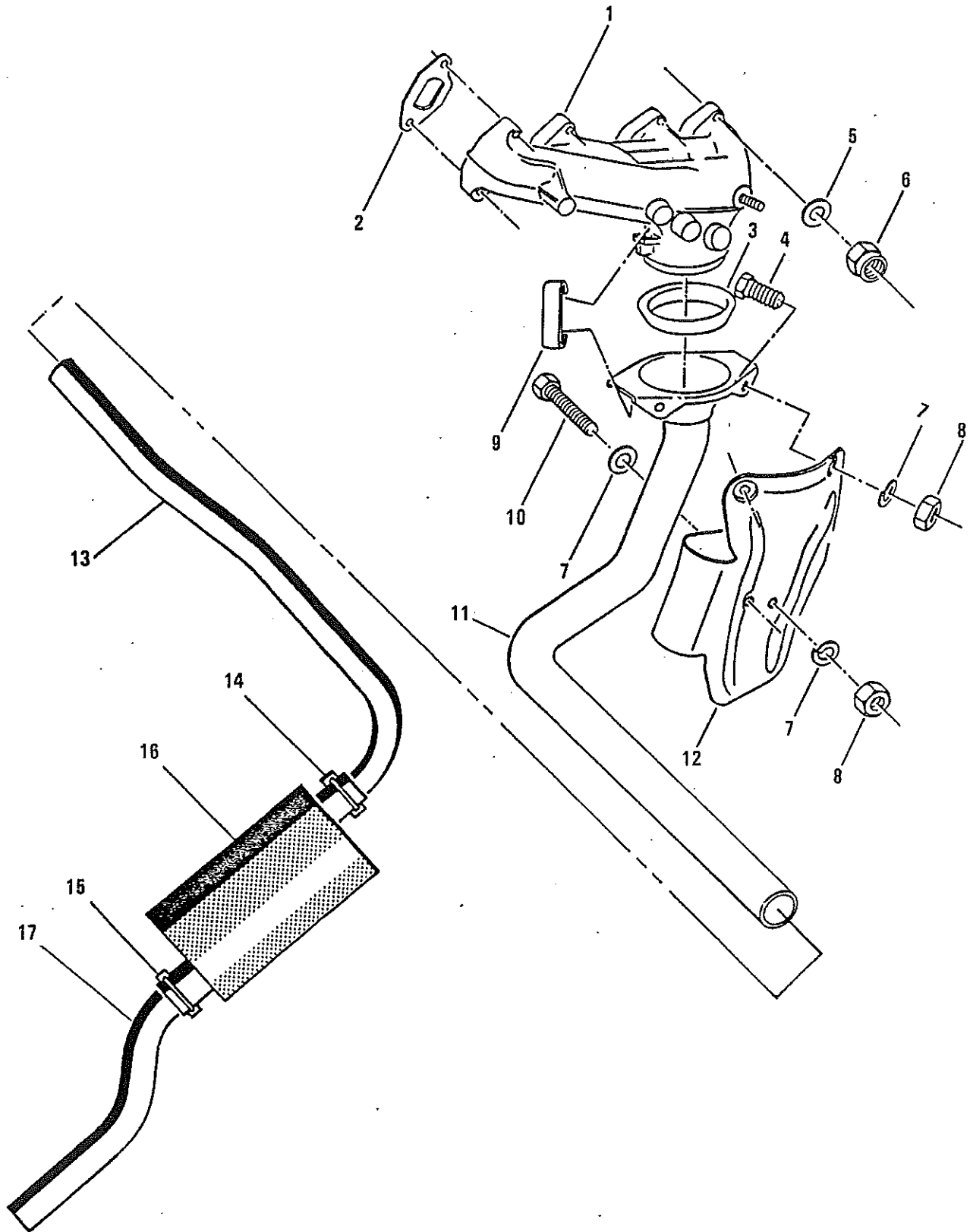


ILLUSTRATION 43

EXHAUST SYSTEM

KEY	PART NO.	DESCRIPTION	QUANTITY
1	V055 253 031 M	EXHAUST MANIFOLD	1
2	V056 129 589	GASKET	4
3	V171 253 115	GASKET	1
4	VN 010 215 13	BOLT, HEX. HD. M 6X15	2
5	VN 011 558 6	WASHER 8.4	8
6	V175 129 650	NUT, HEX. M 8 (SELF LOCKING)	8
7	VN 011 666 3	WASHER B 6.4	6
8	VN 022 148 1	NUT, HEX. M 6 (SELF LOCKING)	4
9	V161 253 111	CLIP	2
10	VN 010 313 2	BOLT, HEX. HD. BM 8X85	2
11	V161 253 091 A	EXHAUST PIPE, FRONT	1
12	V175 253 701 E	HEAT SHIELD	1
13	G11-01774	EXHAUST PIPE—MAIN	1
14	G1101771	CLAMP—EXHAUST	1
15	G11101772	CLAMP—EXHAUST	1
16	G1101770	MUFFLER	1
17	G11-01776	EXHAUST—TAILPIPE	1