

1984 GRUMMAN OLSON KUBVAN

ILLUSTRATED PARTS MANUAL

Engine mounts

Fuel tank

Exhaust

Transmissions manual 5 speed

Transmissions Automatic

Drive shafts

Differentials

Portions of this manual are copyrighted 1983
Volkswagen of America, Inc.
Reprinted by permission of VWoA

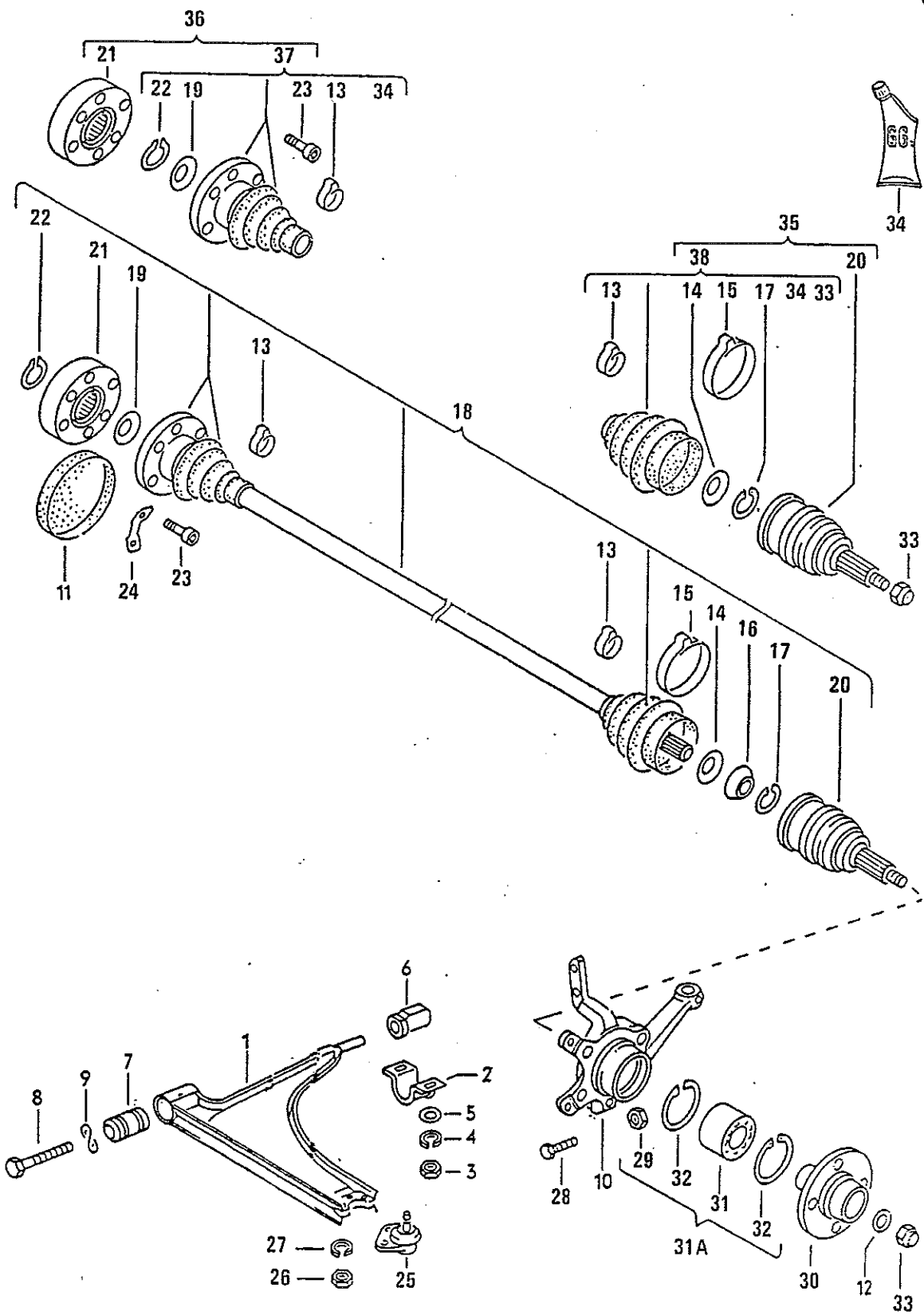


ILLUSTRATION 63
WISHBONE, DRIVE SHAFT

KEY	PART NO.	DESCRIPTION	QUANTITY
1	V171 407 153 D	WISHBONE	2
2	V171 407 169	CLIP	2
3	VN 023 004 3	LOCK NUT, M 10	4
4	VN 012 028 1	LOCK RING 10	4
5	VN 011 527 5	WASHER A 10.5	4
6	V171 407 181 A	BONDED RUBBER MOUNTING, REAR	2
7	V171 407 182 D	BONDED RUBBER MOUNTING, FRONT	2
8	VN 010 190 4	BOLT, HEX. HD. M 12X1.5X90	2
9	V171 407 239 A	SPRING WASHER	2
10	V171 407 255 A	WHEEL BEARING HOUSING, LEFT	1
(10)	V171 407 256 A	WHEEL BEARING HOUSING, RIGHT	1
11	V113 501 269	PROTECTIVE CAP CONSTANT VELOCITY	X
12	V171 407 277	WASHER	2
13	VN 900 884 01	CLAMP 36 DIA.	4
14	V321 407 287	CONCAVE WASHER	2
15	V171 407 291 B	CLIP	2
16	V321 407 295 A	THRUST RING	2
17	V171 407 297 C	LOCK RING	2
18	V171 407 271 TX	DRIVE SHAFT, LEFT REMANUFACTURED	1
(18)	V171 407 272 PX	DRIVE SHAFT, RIGHT REMANUFACTURED	1
19	V113 501 327	CONCAVE WASHER FOR DRIVE SHAFT	X
(19)	V113 501 327 A	CONCAVE WASHER FOR DRIVE SHAFT (INTERNAL SPLINES)	2
20	V171 407 311 J	WHEEL SHAFT WITH JOINT	2
21	V321 407 331	CONSTANT VELOCITY JOINT, INNER	2
22	V113 517 279	CIRCLIP	2
23	V113 501 229 D	SCREW, CHEESE HD. M 8X42	12
24	V171 407 357 C	WASHER	6
25	V171 407 365 F	BALL JOINT SUPPLIED: 117 407 365 F/ G	1
26	VN 011 007 7	NUT, HEX, M 7	6
27	VN 042 001 1	LOCK RING A 7	6
28	VN 010 445 3	BOLT, HEX. HD. M 10X45	2
29	VN 022 149 2	NUT, HEX. VM 10 (SELF LOCKING)	2
30	V175 407 615	WHEEL HUB	2
31	V171 407 625 D	BALL BEARING	2
31A	V171 498 625 A	WHEEL BEARING WITH MOUNTING PARTS	2
32	V175 407 635	LOCK RING 64X2	4
33	V171 407 643 A	NUT, HEX. M 20X1.5	2
34	VG 000 602	GREASE 90G	X
35	V171 498 099 B	WHEEL SHAFT WITH JOINT, OUTER COMPLETE W/DUST SLEEVE AND ATTACHING PARTS	2

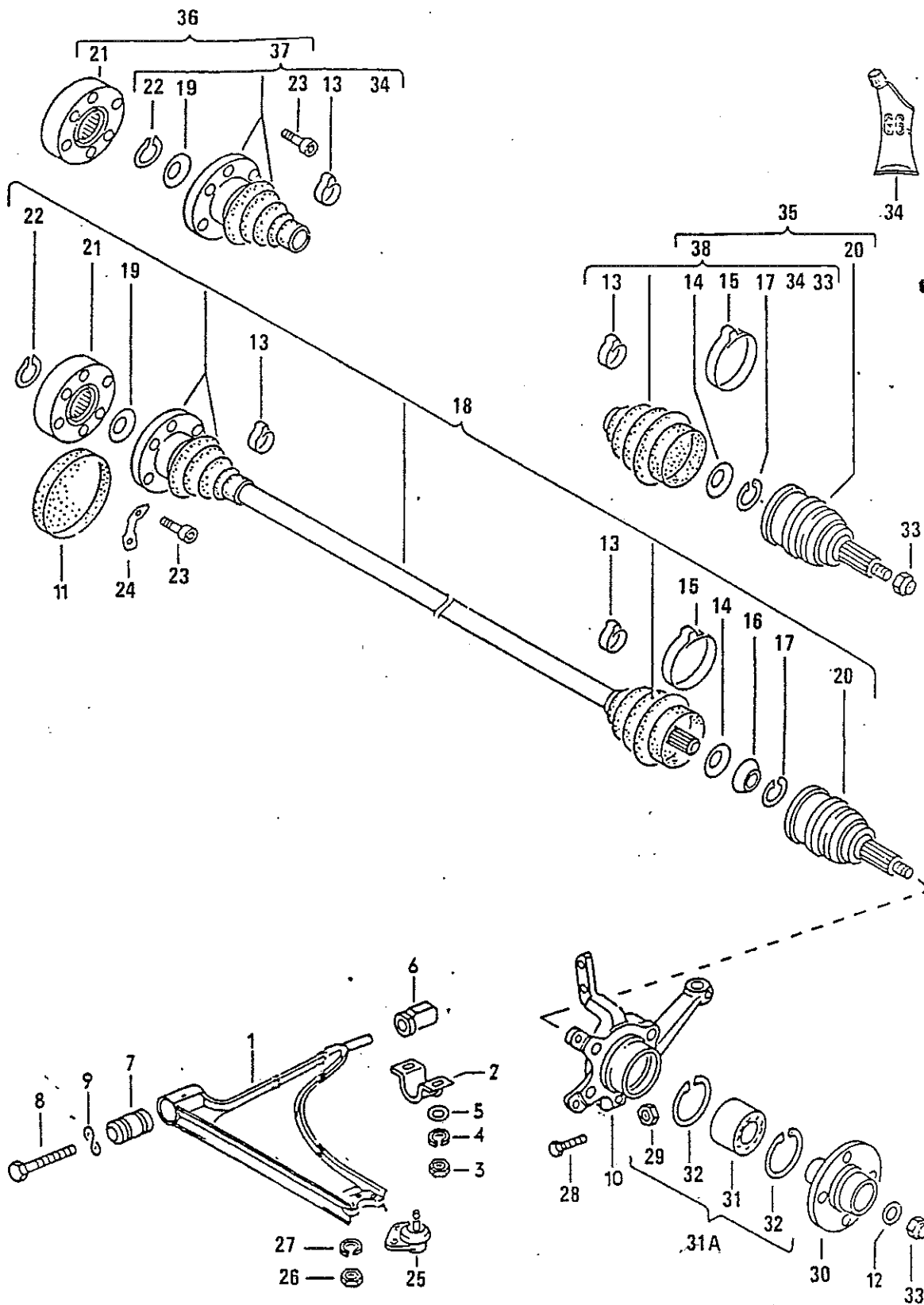


ILLUSTRATION 63 (cont'd)

WISHBONE, DRIVE SHAFT

KEY	PART NO.	DESCRIPTION	QUANTITY
36	V171 498 103 C	CONSTANT VELOCITY JOINT, INNER FOR MANUAL TRANSMISSION W/ DUST SLEEVE & ATTACHING PARTS	2
(36)	V321 498 103	CONSTANT VELOCITY JOINT, INNER FOR AUTOMATIC TRANSMISSION W/DUST SLEEVE & ATTACHING PARTS	2
37	V321 498 201 A	DUST SLEEVE, INNER W/ATTACHING PARTS	X
38	V171 498 203	DUST SLEEVE, OUTER W/ATTACHING PARTS	X

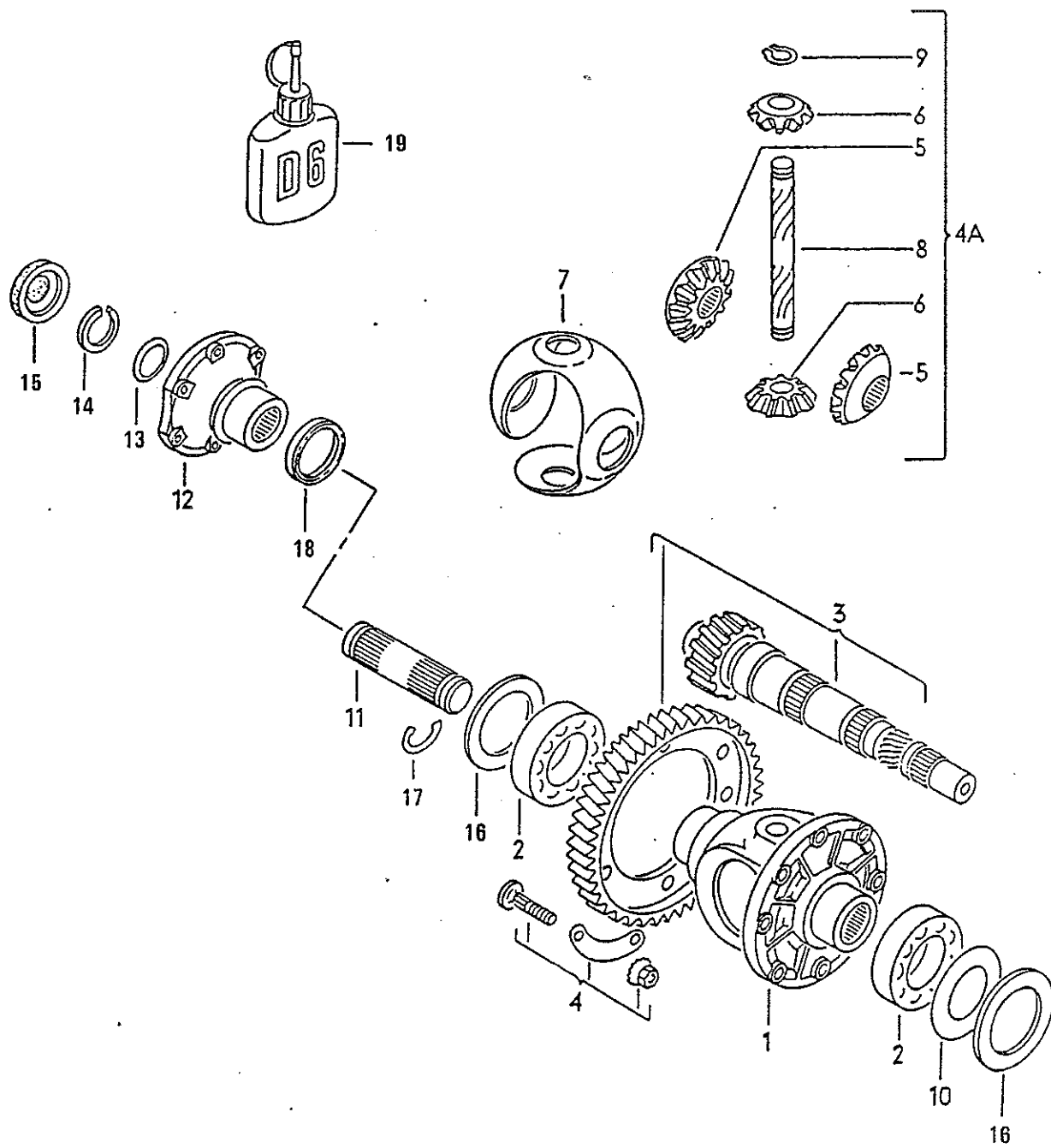


ILLUSTRATION 64

DIFFERENTIAL FOR MANUAL TRANSMISSION

KEY	PART NO.	DESCRIPTION	QUANTITY
1	V020 409 121 A	DIFFERENTIAL HOUSING	1
2	V003 519 185 B	TAPER ROLLER BEARING	2
3	V020 409 143 F	GEAR SET 19:74	1
4	V171 498 088	1 SET OF MOUNTING PARTS FOR OUTPUT GEAR TO DIFFERENTIAL HOUSING	1
4A	V020 498 081 A	DIFFERENTIAL KIT	1
5	V020 409 159	DIFFERENTIAL PINION	2
6	V020 409 169	DIFFERENTIAL PINION	2
7	V020 409 170 A	ONE-PIECE THRUST WASHER FOR DIFFERENTIAL HOUSING 020 409 121 A	1
8	V020 409 177 A	SHAFT-DIFFERENTIAL PINION	1
9	VN 042 363 1	LOCK RING 16X1.5	2
10	V020 409 231	SHIM 0.15	X
(10)	V020 409 231 A	SHIM 0.30	X
(10)	V020 409 231 D	SHIM 0.60	X
(10)	V020 409 231 E	SHIM 0.70	X
(10)	V020 409 231 F	SHIM 0.80	X
11	V020 409 291	OUTPUT SHAFT	2
12	V113 517 285 J	JOINT FLANGE	2
13	V020 409 295	CONCAVE WASHER	2
14	V020 409 297	CIRCLIP	2
15	V113 517 289 A	END PLUG	2
16	V020 409 298	SPACER	2
17	V020 409 299	LOCK RING	2
(17)	V020 409 299	LOCK RING	X
18	V020 498 085	SEAL KIT	2
19	VD 000 600	LIQUID LOCKING SOLUTION 10 CCM	X

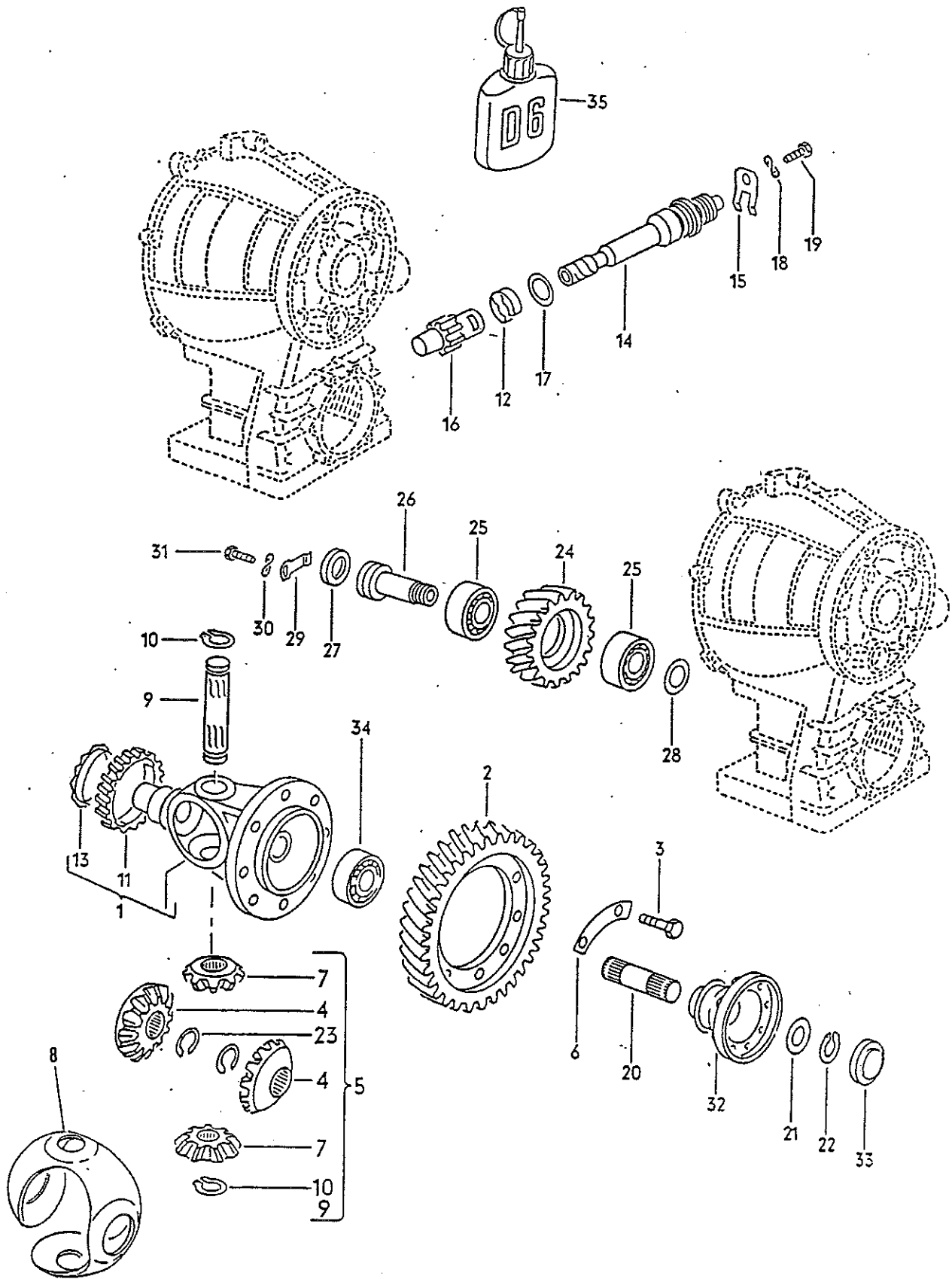


ILLUSTRATION 65

DIFFERENTIAL FOR AUTOMATIC TRANSMISSION

KEY	PART NO.	DESCRIPTION	QUANTITY
1	V010 409 111 A	DIFFERENTIAL HOUSING	1
2	V010 409 151 A	OUTPUT GEAR	1
3	V082 409 135	BOLT, HEX. HD. M 9X23.5	8
4	V020 409 159	DIFFERENTIAL SIDE GEAR	2
5	V020 498 081 A	DIFFERENTIAL PINION SET	X
7	V020 409 169	DIFFERENTIAL PINION	2
8	V020 409 170 A	ONE PIECE THRUST WASHER	1
9	V020 409 177 A	SHAFT-DIFFERENTIAL PINION	1
10	VN 042 363 1	LOCK RING 16X1.5	2
11	V010 409 187 B	DRIVE GEAR FOR SPEEDOMETER	1
12	V010 409 189	LOCK FOR WHEEL	1
13	V010 409 190	BUSHING FOR DRIVE GEAR	1
14	V010 409 193	SPEEDO DRIVE BEARING	1
15	V010 409 195 A	BRACKET FOR DRIVE	1
16	V010 409 196	WHEEL FOR SPEEDOMETER CABLE	1
17	V003 321 419	SEAL 24.5 DIA.	1
18	VN 012 226 5	SEAL WASHER B 6	1
19	VN 010 212 14	BOLT, HEX. HD. M 6X12	1
20	V020 409 291	OUTPUT SHAFT	2
21	V020 409 295	CONCAVE WASHER	2
22	V010 409 297	LOCK RING	2
23	V020 409 299	LOCK RING	X
(23)	V020 409 299 A	LOCK RING	X
24	V010 409 723 A	IDLER GEAR	1
25	V211 405 625	TAPER ROLLER BEARING 59	2
26	V010 409 727	PIN	1
27	V068 145 119	SEALING WASHER	1
28	V010 409 733	THRUST WASHER	1
29	V010 409 668 A	LOCK PLATE	1
30	VN 012 226 5	SPRING WASHER B 6	1
31	VN 010 212 14	BOLT, HEX. HD. M 6X12	1
32	V113 517 283 B	JOINT FLANGE	2
33	V113 517 289 A	CAP	2
34	V003 519 185 B	TAPER ROLLER BEARING	2
35	VD 000 600	LIQUID LOCKING SOLUTION 10 CM	X

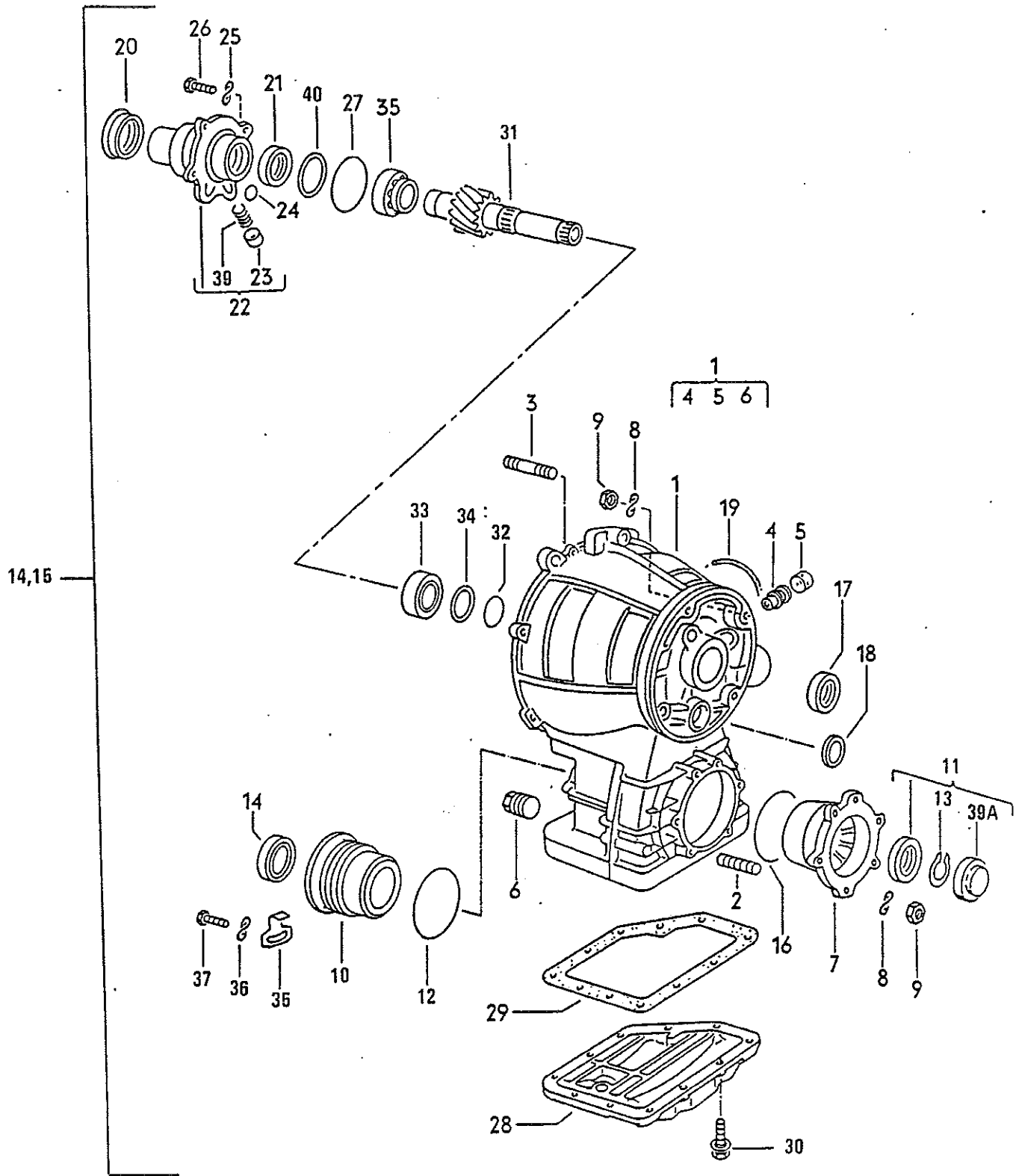


ILLUSTRATION 66

AXLE DRIVE HOUSING FOR
AUTOMATIC TRANSMISSION

KEY	PART NO.	DESCRIPTION	QUANTITY
1	V010 409 051	AXLE DRIVE HOUSING	1
2	VN 014 617 4	STUD AM 8AX36	6
3	VN 040 338 1	BOLT, HEX. HD. 12X58	1
(3A)	VN 011 531 7	WASHER A 13	1
4	V003 507 141 C	BREATHER TUBE	2
5	V003 507 145	COVER	2
6	V111 301 127 E	PLUG M 24X1.5	1
7	V010 409 117	COVER	1
8	VN 012 228 3	SPRING WASHER B 8	10
9	VN 011 008 22	NUT, HEX. M 8	10
10	V010 409 253 A	BEARING RING	1
11	V010 498 085	SEAL KIT	2
12	V010 409 259	SEALING WASHER	1
13	V020 409 297	LOCK RING	2
14	V010 409 505 B	FINAL DRIVE: COMPLETE	1
15	V010 409 505 BX	FINAL DRIVE, COMPLETE REMANUFACTURED	1
16	V010 409 528	SEALING WASHER	1
17	V010 409 529 C	SEALING WASHER	1
18	V010 409 530	SEALING WASHER	1
19	V010 409 549 A	SEALING WASHER	1
20	V010 409 568	SEALING WASHER	1
21	V010 409 085 D	SEALING WASHER (010 409 085 E IS SUPPLIED)	1
22	V010 409 573	BEARING TUBE	1
23	V003 321 257 A	END PLUG	1
24	V010 409 563 A	SEALING WASHER 16X2.5	2
25	VN 012 228 3	SPRING WASHER B 8	4
26	VN 010 240 16	BOLT, HEX. HD. M 8X20	4
27	V010 409 580	SEALING WASHER	1
28	V010 409 581	COVER	1
29	V010 409 597	GASKET	1
30	VN 900 639 02	BOLT, HEX. HD. M 8X18	11
31	V010 409 604 A	OUTPUT SHAFT	1
32	V010 409 637 A	SEALING WASHER	1
33	V211 405 625	TAPER ROLLER BEARING 59	2
34	V010 323 345 A	SHIM 0.4	X
(34)	V010 323 346 A	SHIM 1.2	X
35	V010 409 668	LOCK PLATE	1
36	VN 012 226 5	SPRING WASHER B 6	1
37	VN 010 212 14	BOLT, HEX. HD. M 6X12	1
39	V010 409 713 A	PRESSURE SPRING	1
39A	V113 517 289 A	CAP	2
40	V010 519 141 AD	SHIM 1.15	X
(40)	V010 519 141 AE	SHIM 1.20	X
(40)	V010 519 141 AF	SHIM 1.25	X
(40)	V010 519 141 AG	SHIM 1.30	X
(40)	V010 519 141 AH	SHIM 1.35	X
(40)	V010 519 141 AJ	SHIM 1.40	X
(40)	V010 519 141 AK	SHIM 1.45	X

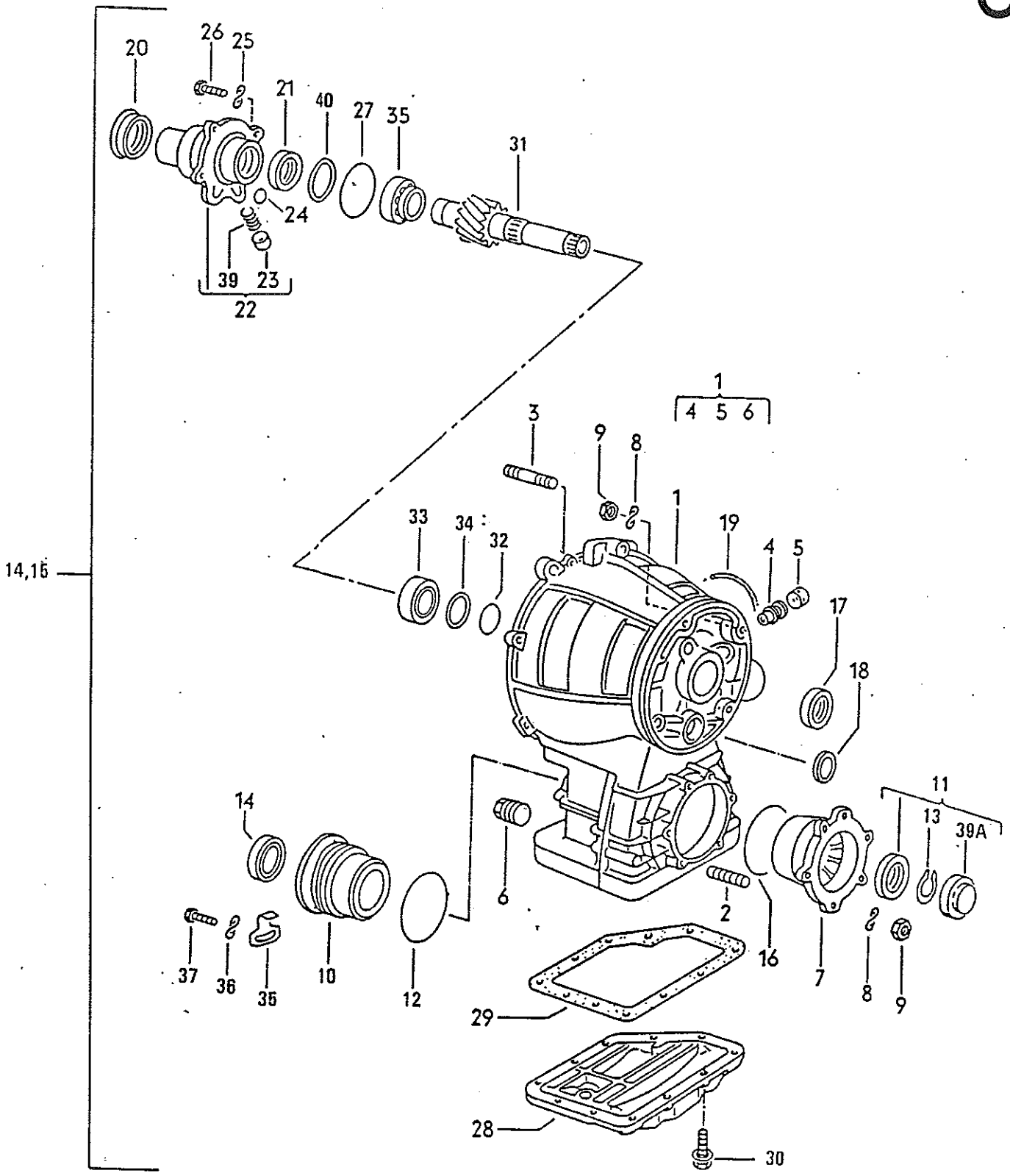


ILLUSTRATION 66 (cont'd)

AXLE DRIVE HOUSING FOR
AUTOMATIC TRANSMISSION

KEY	PART NO.	DESCRIPTION	QUANTITY
(40)	V010 519 141 AL	SHIM 1.50	X
(40)	V010 519 141 AM	SHIM 1.55	X
(40)	V010 519 141 AN	SHIM 1.60	X
(40)	V010 519 141 AP	SHIM 1.65	X
(40)	V010 519 141 AQ	SHIM 1.70	X
(40)	V010 519 141 AR	SHIM 1.75	X
(40)	V010 519 AS	SHIM 1.80	X
(40)	V010 519 AT	SHIM 1.85	X
(40)	V010 519 BA	SHIM 1.90	X
(40)	V010 519 BB	SHIM 1.95	X
(40)	V010 519 BC	SHIM 2.00	X
(40)	V010 519 BD	SHIM 2.05	X
(40)	V010 519 BE	SHIM 2.10	X
(40)	V010 519 BF	SHIM 2.15	X
(40)	V010 519 BG	SHIM 2.20	X

C

B

(

REPAIR KITS

KEY	PART NO.	DESCRIPTION	QUANTITY
	V010 498 010	1 SET OF GASKETS FOR FINAL DRIVE FOR AUTOMATIC TRANSMISSION	
	V020 498 081 A	SET OF DIFFERENTIAL PINIONS FOR MANUAL AND AUTOMATIC TRANSMISSION	
	V010 498 085	REPAIR KIT FOR DIFFERENTIAL FLANGE (AUTOMATIC TRANSMISSION)	
	V020 498 085	REPAIR KIT FOR DIFFERENTIAL FLANGE "GL,GY,FN" (MANUAL TRANSMISSION)	
	V020 498 085 A	REPAIR KIT FOR DIFFERENTIAL FLANGE (MANUAL TRANSMISSION) "FK"	
	V171 498 088	1 SET OF MOUNTING PARTS FOR OUTPUT GEAR ON DIFFERENTIAL HOUSING FOR MANUAL TRANSMISSION	
	V171 498 099 B	WHEEL SHAFT WITH JOINT, OUTER COMPLETE WITH DUST SLEEVE AND ATTACHING PARTS	
	V171 498 103	CONSTANT VELOCITY JOINT INNER FOR MANUAL TRANSMISSION WITH DUST SLEEVE AND ATTACHING PARTS	
	V321 498 103	CONSTANT VELOCITY JOINT INNER FOR AUTOMATIC TRANSMISSION WITH DUST SLEEVE AND ATTACHING PARTS	
	V321 498 201 A	DUST SLEEVE INNER WITH ATTACHING PARTS	
	V321 498 203	DUST SLEEVE OUTER WITH ATTACHING PARTS	
	V171 498 625 A	WHEEL BEARING, FRONT, WITH MOUNTING PARTS	

