

1984 GRUMMAN OLSON KUBVAN

ILLUSTRATED PARTS MANUAL

Springs front

Steering

Rear axle beam

Brakes

Shift mechanism

Pedal clusters

Portions of this manual are copyrighted 1983
Volkswagen of America, Inc.
Reprinted by permission of VWoA

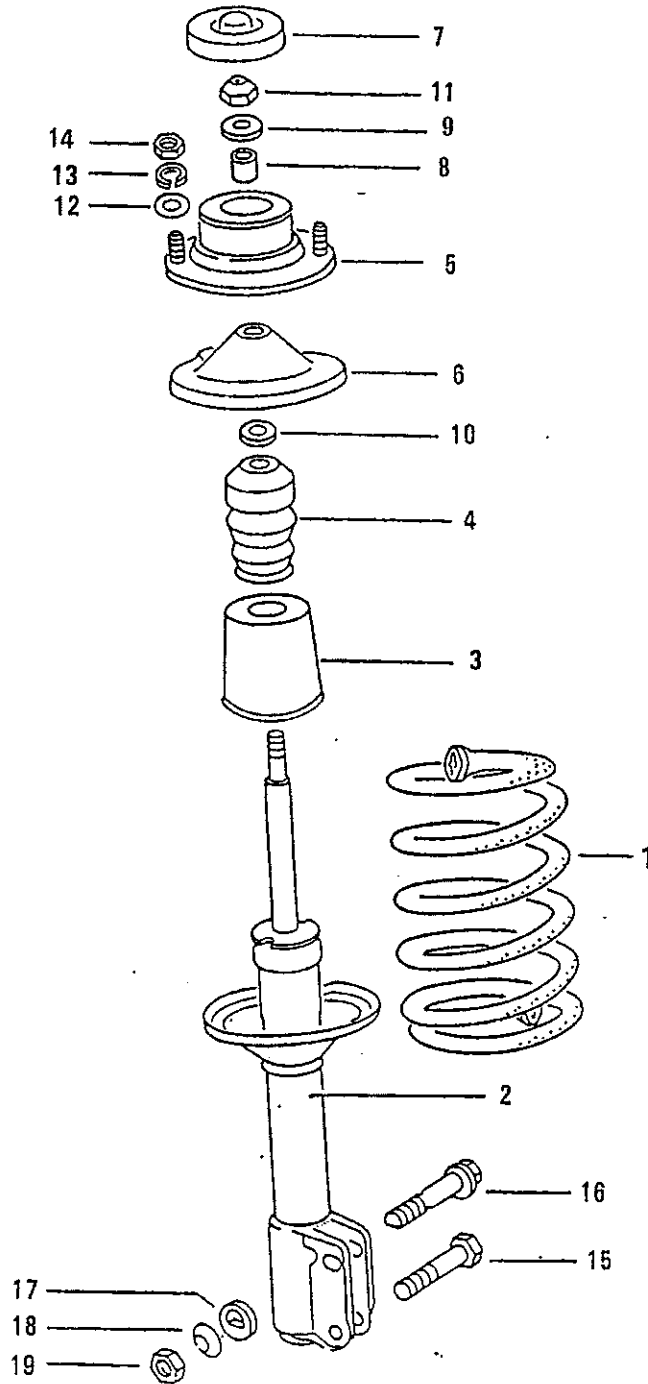


ILLUSTRATION 67

SPRINGS, FRONT

KEY	PART NO.	DESCRIPTION	QUANTITY
1	V175 411 105 A	COIL SPRING PAINT MARKED 2 GREEN, 1 WHITE	2
2	V175 412 031 C	SHOCK ABSORBER, LEFT	1
(2)	V175 412 032 C	SHOCK ABSORBER, RIGHT	1
3	V171 412 135	PROTECTIVE SLEEVE	2
4	V175 412 303	RUBBER STOP FOR SHOCK ABSORBER	2
5	V175 412 329 A	SUSPENSION STRUT MOUNT	2
6	V171 412 341 A	SPRING SEAT; UPPER	2
7	V171 412 359	CAP	2
8	V133 412 365	SPACER SLEEVE FOR SUSPENSION STRUT MOUNT	2
9	VN 011 534 1	WASHER A 15	2
10	V171 412 369	WASHER 22X14.5X2 FOR SHOCK ABSORBER MOUNTING	2
11	VN 022 150 1	NUT, HEX. M 14X1.5	2
12	V311 827 181	WASHER 8.3	4
13	VN 012 008 6	LOCK RING B 8	4
14	VN 011 008 8	NUT, HEX. M 8	4
15	V133 513 471	BOLT, HEX. HD.	2
16	V171 407 265	ECCENTRIC SCREW	2
17	V171 407 267	ECCENTRIC WASHER	2
18	V171 407 239 A	CONCAVE WASHER	4
19	VN 011 135 1	NUT, HEX. M 12X1.5	4

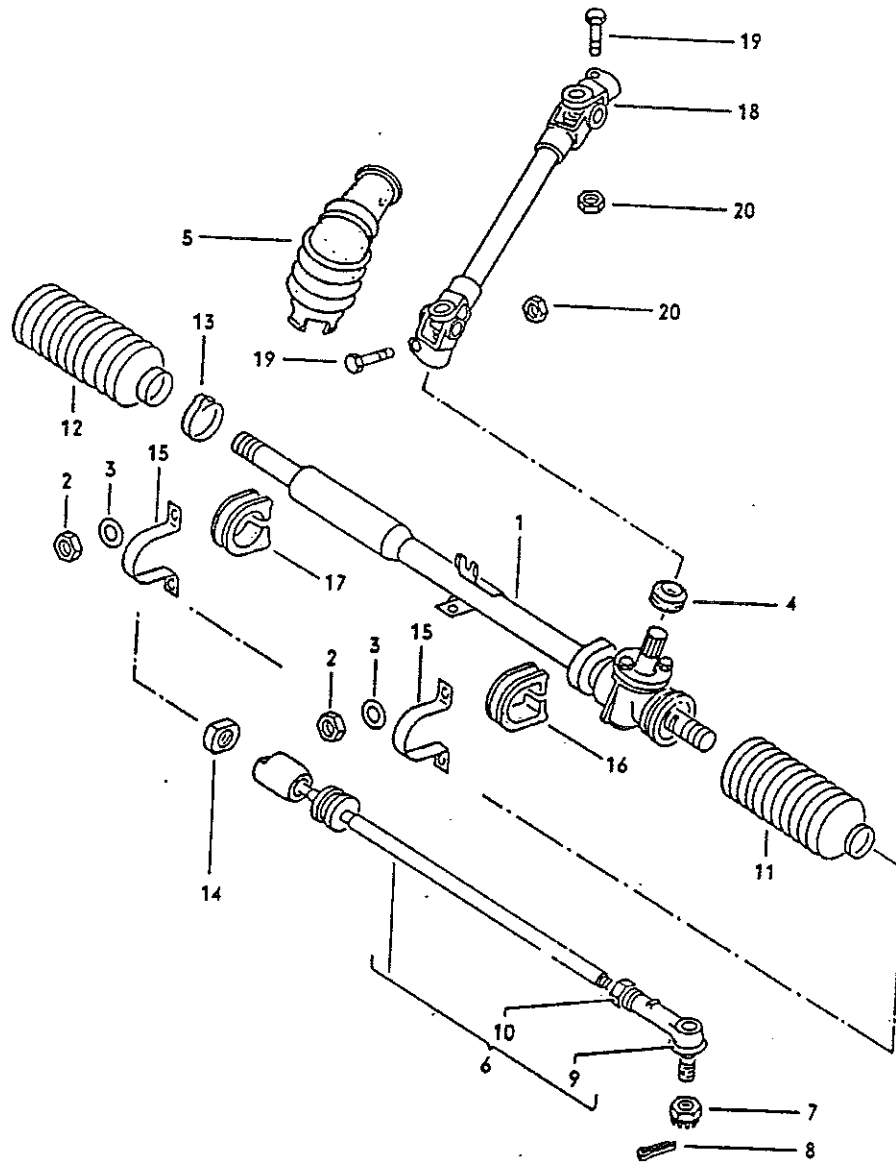


ILLUSTRATION 68

STEERING GEAR ASSY., TIE ROD

KEY	PART NO.	DESCRIPTION	QUANTITY
1	V175 419 061	STEERING GEAR ASSY.	1
2	VN 022 146 12	NUT, HEX. M 8 (SELF LOCKING)	4
3	VN 011 525 13	WASHER A 8.4	4
4	V171 419 329 A	SEAL	1
5	V175 419 523	PROTECTIVE SLEEVE FOR DRIVE SHAFT	1
6	V175 419 804	TIE ROD (ADJUSTABLE)	2
7	VN 011 212 2	NUT, SLOTTED M 12X1.5	2
8	VN 012 532 1	COTTER PIN 3X25	2
9	V171 419 811	TIE ROD END	2
10	VN 011 163 3	NUT, HEX. M 14X1.5	2
11	V171 419 831 B	PROTECTIVE SLEEVE, LEFT FOR STEERING GEAR ASSY.	1
12	V171 419 832 A	PROTECTIVE SLEEVE, RIGHT FOR STEERING GEAR ASSY.	1
(12)	V171 419 834	RING FOR SEALING PROTECTIVE SLEEVE	2
(12)	V171 419 838	CLIP FOR PROTECTIVE SLEEVE FOR STEERING GEAR ASSY.	2
13	V823 419 843	SLIP 45 FOR PROTECTIVE SLEEVE	1
14	V171 419 855	NUT, M 22X1.5	2
15	V175 419 875	CLIP	2
16	V175 422 883	RUBBER MOUNTING LEFT	2
17	V175 419 884	RUBBER MOUNTING RIGHT	1
18	V171 419 951 C	STEERING SHAFT	1
19	VN 010 359 4	BOLT, HEX. HD. M 8X38	2
20	VN 022 146 12	NUT, HEX. M 8 (SELF LOCKING)	2

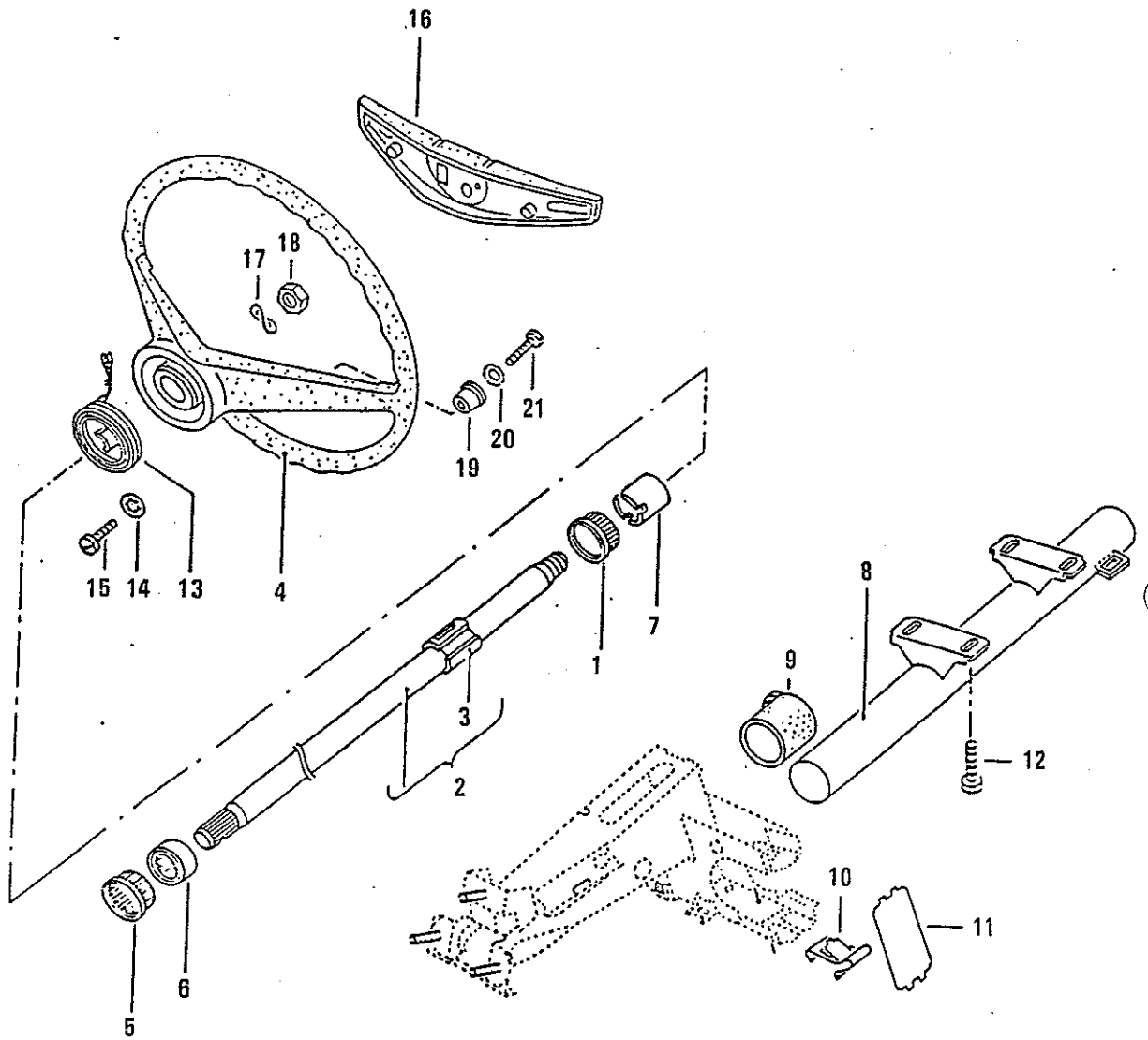


ILLUSTRATION 69

STEERING WHEEL,
STEERING COLUMN

KEY	PART NO.	DESCRIPTION	QUANTITY
1	V175 419 341 A	THRUST WASHER	1
2	V171 419 503 A	STEERING COLUMN	1
3	V111 415 521 D	LOCKING SHELL	2
4	V171 419 655 A	STEERING WHEEL FOR VEHICLES WITH PASSIVE SEAT BELT SYSTEM	1
5	V171 419 517	NEEDLE BEARING—STEERING COLUMN TUBE	1
6	V171 419 518 A	RING FOR NEEDLE BEARING	1
7	V171 419 549	SLEEVE—STEERING COLUMN TUBE	1
8	V175 419 563	STEERING COLUMN TUBE	1
9	V171 419 587 B	BEARING RING FOR STEERING COLUMN TUBE	1
10	V171 419 589	CLAMP LEAF SPRING	1
11	V171 419 591	LEAF SPRING FOR STEERING COLUMN TUBE	1
12	V175 419 595	COMBINATION SCREW	4
13	V113 415 660 A	CANCELLING RING WITH HORN CONTACT	1
14	VN 012 131 2	SHAKE-PROOF WASHER J 3.7	3
15	VN 090 221 1	COMBI SCREW M 3.5X10	3
16	V175 419 669 F	CAP FOR VEHICLES WITH PASSIVE SEAT BELT SYSTEM	1
17	VN 012 238 5	SPRING WASHER B 16	1
18	VN 011 164 2	NUT, HEX. M 16X1.5	1
19	V321 419 779 A	INSULATION BUSH	3
20	VN 012 121 2	SHAKE-PROOF WASHER A 4.3	3
21	VN 010 262 2	BOLT, HEX. HD. M 4X20	3

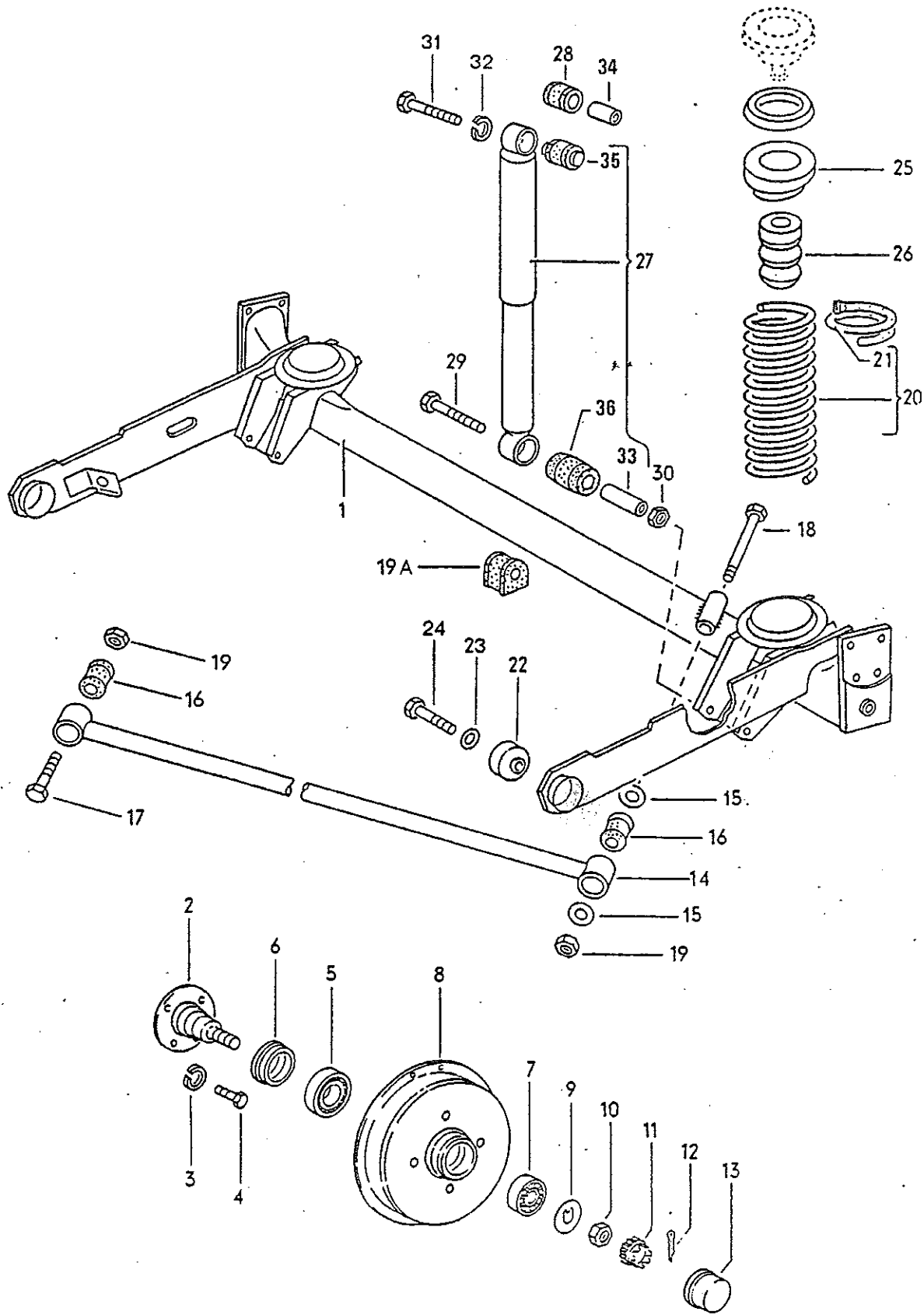


ILLUSTRATION 70

REAR AXLE BEAM

KEY	PART NO.	DESCRIPTION	QUANTITY
1	V331 500 051 B	REAR AXLE BEAM	1
2	305 V321 501 117 I	STUB AXLE	2
3	VN 012 040 5	LOCK RING 10	8
4	V113 609 387	BOLT, HEX. HD. M 10X24	8
5	V311 405 625 B	TAPER ROLLER BEARING	2
6	V321 501 641	SEALING WASHER	2
7	V311 405 645	TAPER ROLLER BEARING, OUTER	2
8	110 V844 501 615 A	BRAKE DRUM	2
9	V311 405 661	WASHER	2
10	VN 011 167 1	NUT, HEX. M 16X1	2
11	V803 501 221	CASTELLATED NUT RETAINER	2
12	VN 012 536 1	COTTER PIN 4X30	2
13	V823 501 249	CAP	2
14	V321 505 175 A	PANHARD ROD	1
15	V321 505 193 A	WASHER	2
16	V321 505 171	BONDED RUBBER MOUNTING OUTER 27.8, INNER 12 MM	2
17	VN 010 165 2	BOLT, HEX. HD. M 12X1.5X65	1
18	VN 010 193 1	BOLT, HEX. HD. M 12X1.5X128	1
19	VN 022 141 4	NUT, HEX. VM 12X1.5 (SELF- LOCKING)	2
19A	V321 511 423 A	RUBBER MOUNTING	1
20	V331 511 105	COIL SPRING (MARKED WHITE)—1 PAINT MARK	2
21	V321 511 123 B	DAMPING HOSE 10.8 MM—7/16 IN. FOR 331 511 105/A	2
22	V823 511 247 A	BONDED RUBBER MOUNTING FOR REAR AXLE BEAM	2
23	V321 501 119 A	LOCK WASHER	2
24	VN 010 473 9	BOLT, HEX. HD. M 10X75 SHOCK ABSORBERS, REAR	2
25	V321 511 149	DAMPING RING, LEFT	1
(25)	V321 511 150	DAMPING RING, RIGHT	1
26	V331 512 131	RUBBER STOP	2
27	V331 513 031 E	SHOCK ABSORBER SUPPLIED ALTERNATIVELY: 331 513 031 F/G	2
28	V111 413 381 A	GROMMET	2
29	VN 010 480 2	BOLT, HEX. HD. M 10X80	2
30	VN 022 149 2	NUT, HEX. VM 10X1 (SELF LOCKING)	2
31	VN 010 452 2	BOLT, HEX. HD. BM 10X52	2
32	VN 012 011 3	LOCK, RING A 10	2
33	V321 513 371	BUSH	2
34	V321 513 375	BUSH	2
35	V321 513 381	RUBBER MOUNTING	2
36	V411 513 381	GROMMET	2

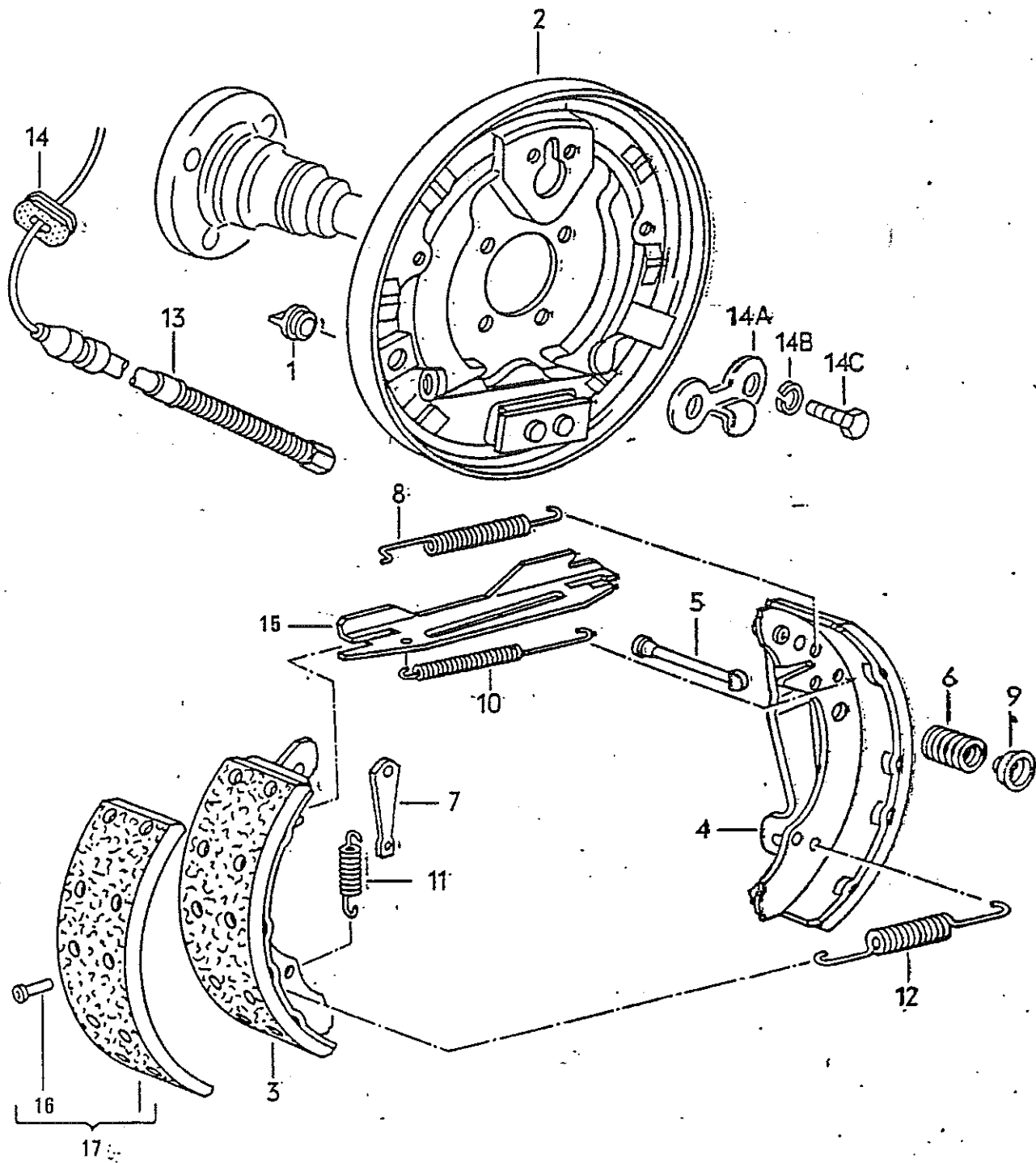
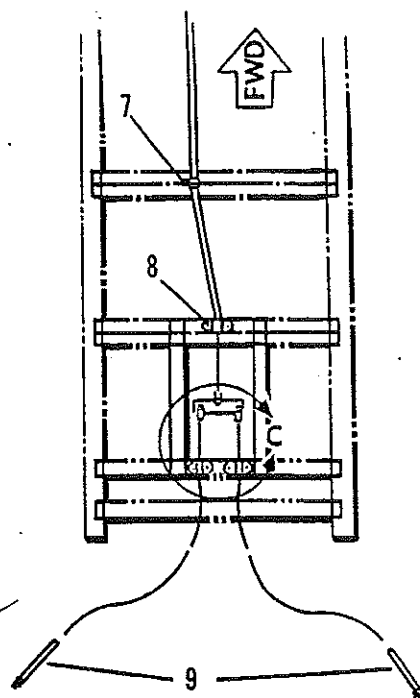
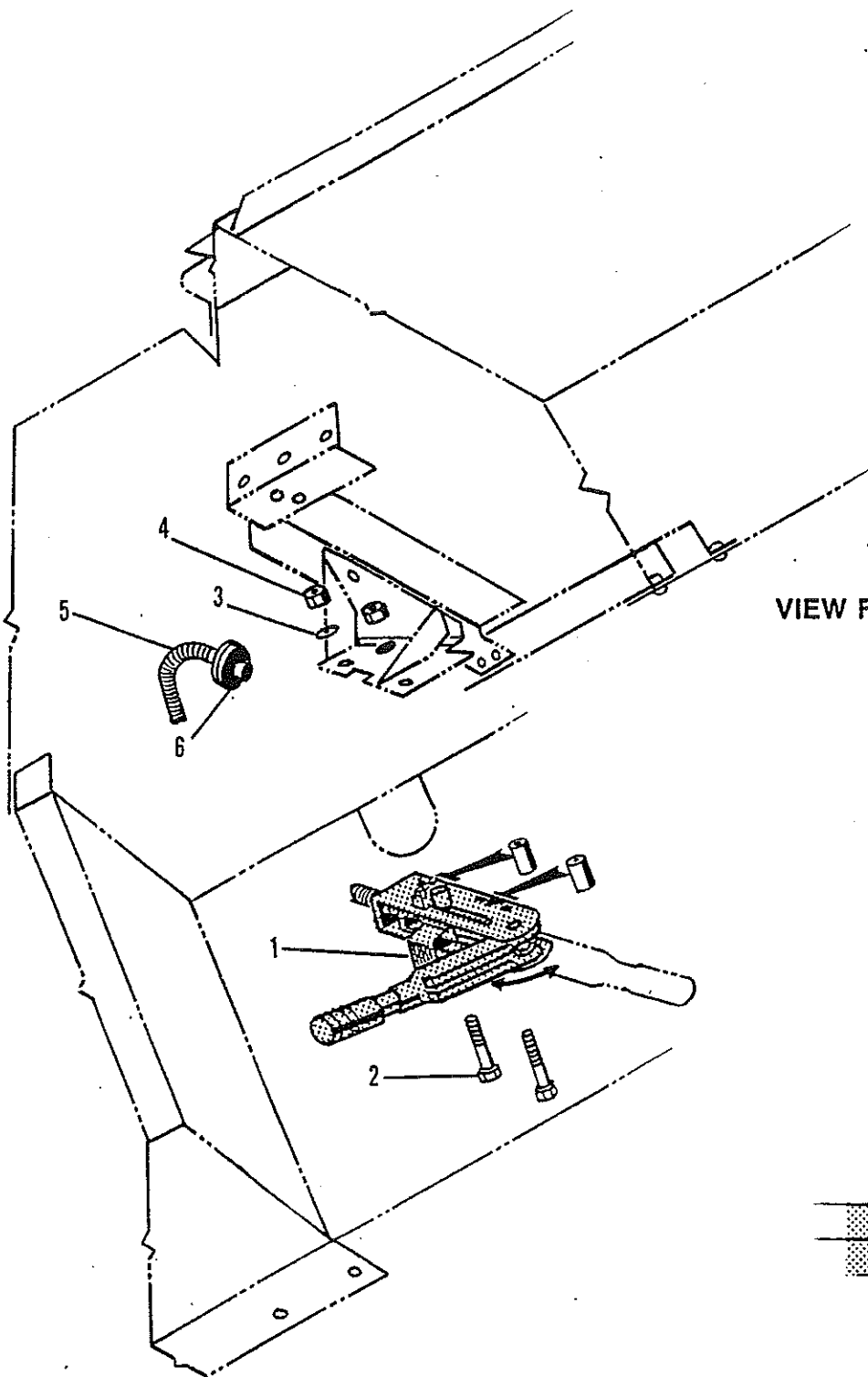
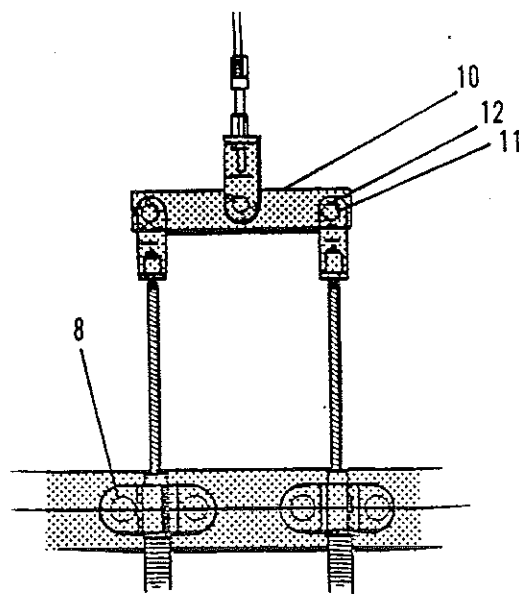


ILLUSTRATION 71
BACK PLATES AND
SHOES WITH LININGS

KEY	PART NO.	DESCRIPTION	QUANTITY
1	V171 609 163	PLUG	4
2	V331 609 425 A	BACK PLATE, LEFT	1
(2)	V331 609 426 A	BACK PLATE, RIGHT	1
3	V331 609 525	BRAKE SHOE WITH LINING LEFT	1
(3)	V331 609 526	BRAKE SHOE WITH LINING RIGHT	1
4	V331 609 527 F	BRAKE SHOE WITH LINING AND LEVER, LEFT	1
(4)	V331 609 528 F	BRAKE SHOE WITH LINING AND LEVER, RIGHT	1
5	V331 609 579	RETAINING PIN	1
6	V171 609 583A	PRESSURE SPRING	1
7	V171 609 705	WEDGE	1
8	V331 609 707	TENSION SPRING	2
9	V171 609 709	SPRING SEAT—RETAINING PIN	4
10	V331 609 711	TENSION SPRING UPPER	1
11	V171 609 715	TENSION SPRING FOR WEDGE	2
12	V171 609 717	TENSION SPRING LOWER	2
13	V321 609 721	BRAKE CABLE	1
14	V321 609 737	GROMMET	2
14A	V321 609 763	GUIDE FOR BRAKE CABLE	2
14B	VN 012 040 5	LOCK RING 10	8
14C	V113 609 387	BOLT, HEX. HD. M 10X24	8
15	V331 609 819A	PUSH-BAR, LEFT	1
(15)	V331 609 820 A	PUSH-BAR, RIGHT	1
16	VN 013 633 1	RIVET C 4X8	40
17	V431 698 071 E	1 SET OF BRAKE LININGS 200X40	1
(17)	V431 698 073 C	1 SET OF BRAKE LININGS 200X40 (OVERSIZE)	1
3/4	V331 698 525 X	BRAKE SHOE SET REAR	1



VIEW FROM UNDERNEATH VEHICLE



AREA C

ILLUSTRATION 72

PARKING BRAKE

KEY	PART NO.	DESCRIPTION	QUANTITY
1	G1101754	PARKING BRAKE LEVER ASM	1
2	G1117018	BOLT HEX HD	2
3	G1117938	WASHER FLAT CP	2
4	G1117314	NUT HX SELF LOCK	2
5	G1101750	BRAKE CABLE ASM—FRT	1
6	G1107072	GROMMET	1
7	G1111086	CLAMP	1
(7)	G1117814	BOLT TRUSS HD	1
(7)	G1117337	NUT SELF LOCK	1
8	G1117817	BOLT HX HD	2
(8)	G1117315	NUT SELF LOCK	2
9	G1101751	BRAKE CABLE ASM—REAR	1
10	G82229005	BAR—EQUALIZER	1
11	G1101752	CLEVIS PIN	3
12	G1101753	COTTER PIN	3

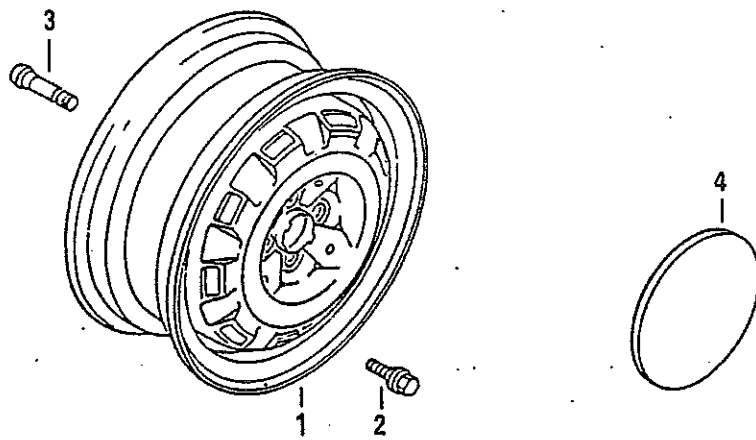


ILLUSTRATION 74
WHEEL DISC WITH CAPS

KEY	PART NO.	DESCRIPTION	QUANTITY
1	V175 601 025 B091	WHEEL SILVER 4 1/2 JB X 13 (ET 45)	5
2	V321 601 139	WHEEL BOLT M 12X1.5	16
3	V175 601 361	TIRE VALVE	5
4	G82241012	HUB CAP CHROME PLATED	4
—	G82241011	SPRING—RETAINING	

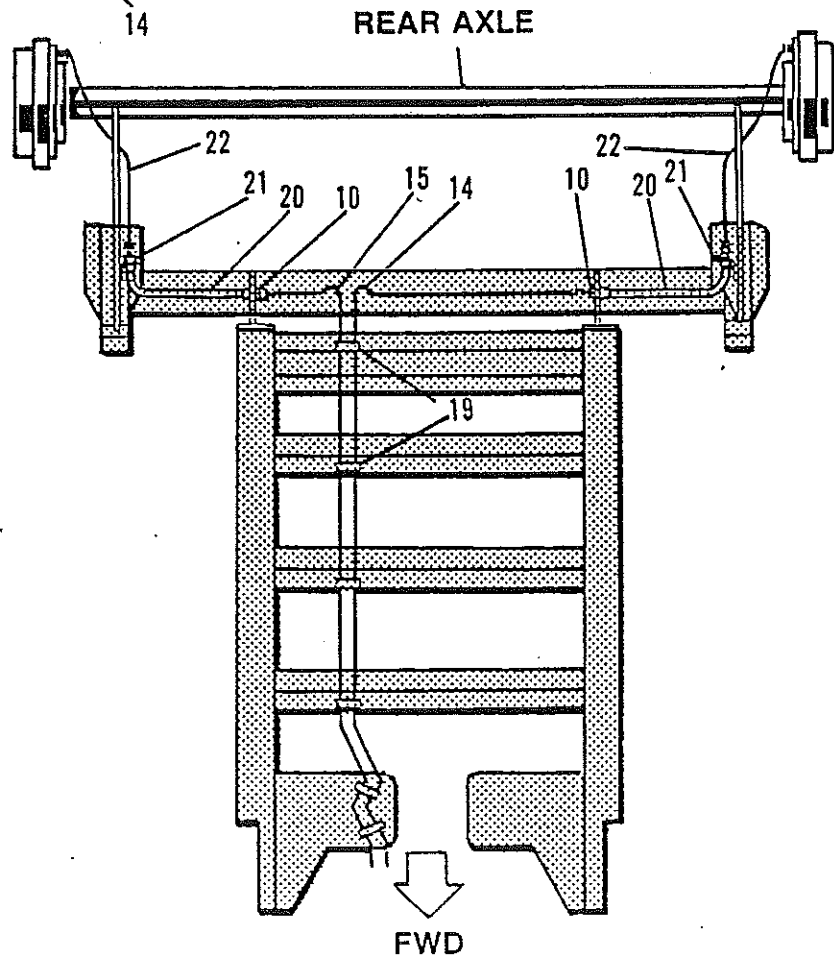
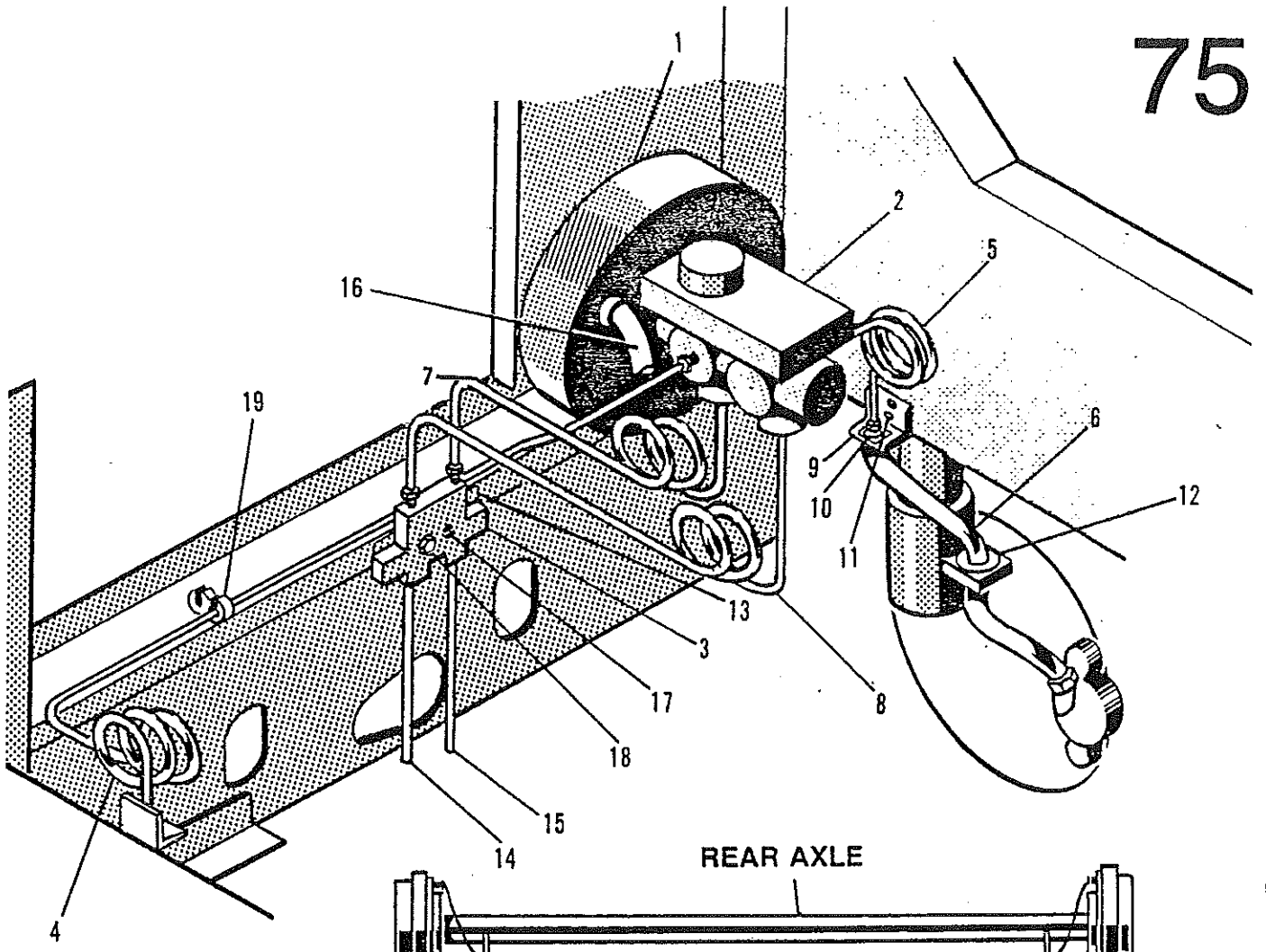


ILLUSTRATION 75

SERVICE BRAKE

KEY	PART NO.	DESCRIPTION	QUANTITY
1	V175612107A	BOOSTER	1
2	V823611301	BRAKE FLUID RESERVOIR	1
3	G11-01632	PROPORTIONING VALVE	1
4	G11-01742	TUBING ASSY BRAKE LINE R. SIDE FRT.	1
5	G11-01743	TUBING ASSY BRAKE LINE L. SIDE FRT.	1
6	G11-01629	BRAKE LINE, FRONT	1
7	G11-01744	TUBING ASSY, BRAKE LINE M.O. TO PROP	1
8	G11-01747	TUBING ASSY, BRAKE LINE M.O. TO PROP	1
9	G82228016	CLIP, SUPPORT, BRAKE HOSE	X
10	G11-01631	CLIP, BRAKE LINE	X
11	G1117357	RIVETS	X
12	V171611819	GROMMET	2
13	G82228043	SPACER	1
14	G11-01745	TUBING ASSY, BRAKE LINE, VAL. TO HOSE, REAR	1
15	G11-01748	TUBING ASSY, BRAKE LINE, VAL. TO HOSE, REAR	1
16	G82228044	HOSE BRAKE VACUUM	1
17	G11-17736	MACH. SCREW 10-24 X 1.25	1
(17)	G11-17737	NUT SELF LOCK 10-24	X
18	G11-17003	MACH SCREW 1/4—20 X 1.25	1
(18)	G11-17310	NUT SELF LOCK 1/4—20	1
19	G11-01616	CLIP, BRAKE LINE	1
20	G11-01630	BRAKE LINE, REAR	2
21	V803611715	CLIP, BRAKE HOSE	2
22	G11-01746	TUBING ASSY BRAKE LINE, HOSE TO WH.	2

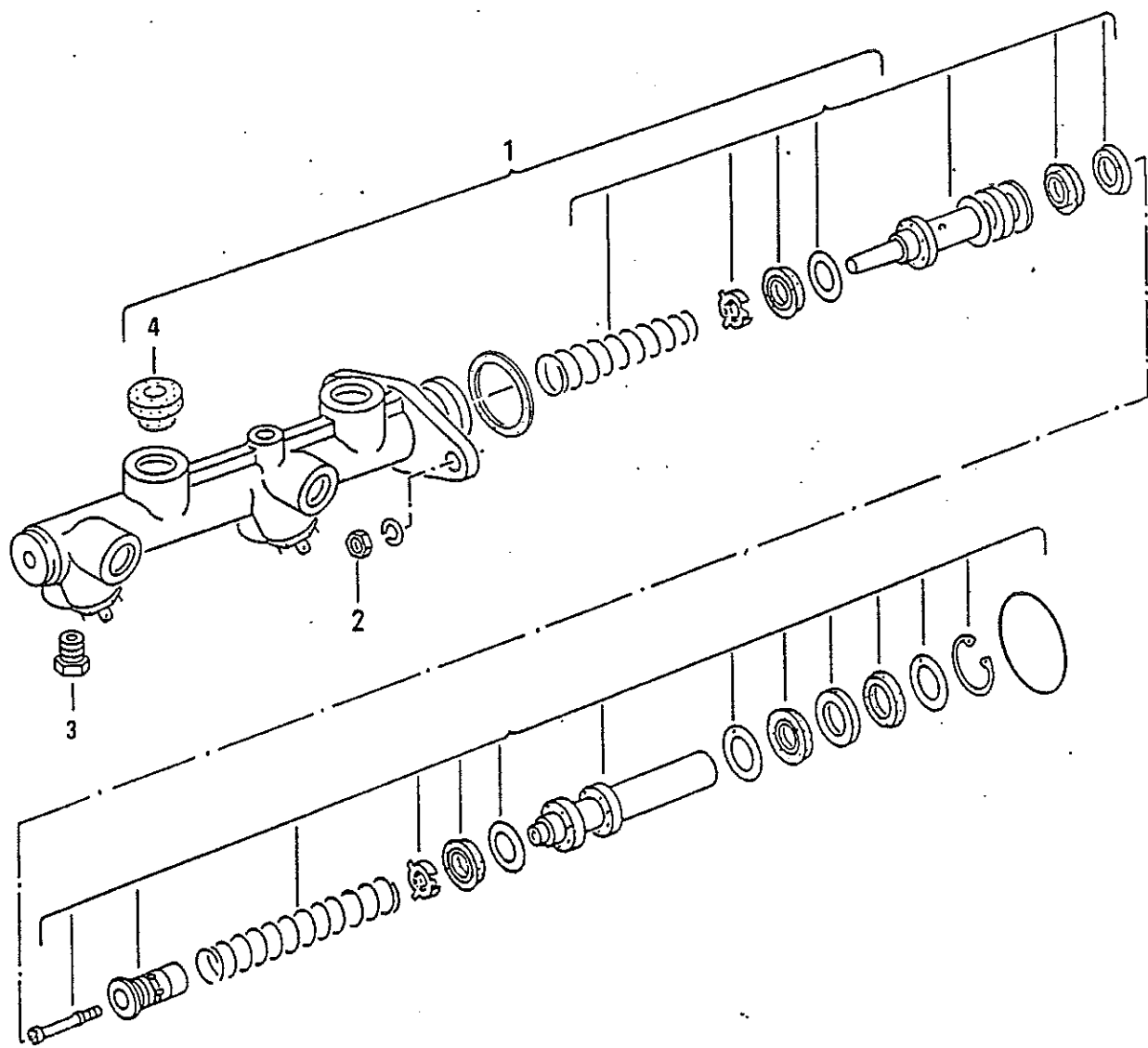


ILLUSTRATION 77
BRAKE MASTER CYLINDER

KEY	PART NO.	DESCRIPTION	QUANTITY
1	V175 611 025 A	TANDEM MASTER CYLINDER 20.64	1
2	VN 022 146 12	NUT, HEX. M8, SELF LOCKING	2
3	V171 611 191	CHECK VALVE FOR BRAKE BOOSTER	
		WITH AUTOMATIC TRANSMISSION	2
4	V175 611 817	PLUG	2

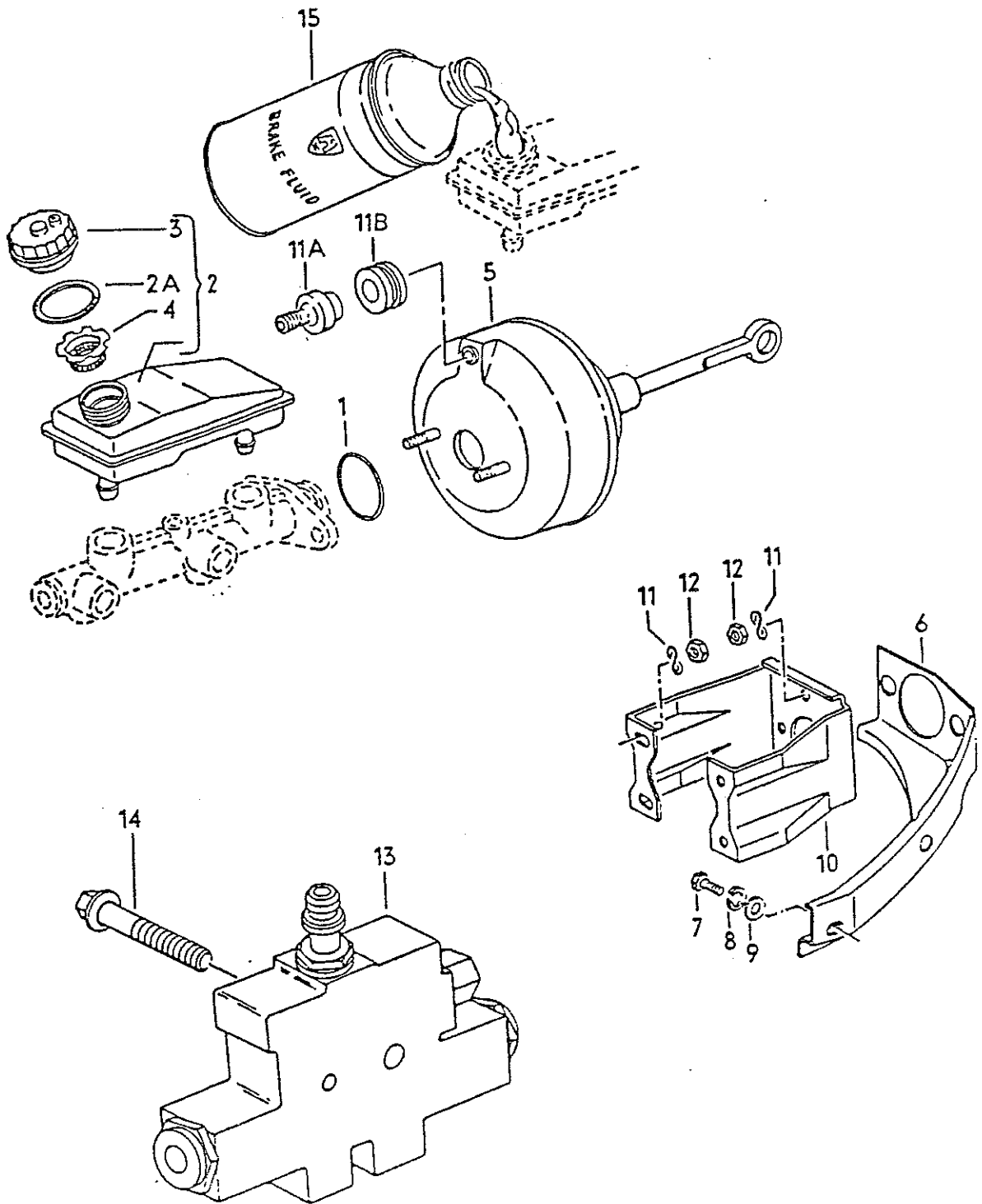


ILLUSTRATION 78

BRAKE BOOSTER, RESERVOIR
FOR BRAKE MASTER CYLINDER

KEY	PART NO.	DESCRIPTION	QUANTITY
1	V211 611 243	GASKET BETWEEN BRAKE BOOSTER AND TANDEM MASTER CYLINDER	1
2	V823 611 301	RESERVOIR	1
2A	V481 611 347	GASKET	1
3	V171 611 349	SCREW CAP FOR RESERVOIR	1
4	V211 611 381 B	STRAINER RESERVOIR	1
5	V175 612 107 A	BRAKE BOOSTER	1
6	V171 803 109 A	SUPPORT	1
7	VN 010 237 6	BOLT, HEX. HD. M 8X12	1
8	VN 012 008 6	LOCK RING B 8	1
9	VN 011 558 6	WASHER 8.4	1
10	V171 612 205 B	BRACKET FOR BRAKE BOOSTER	1
11	V171 612 217	SPRING WASHER	7
11A	V175 612 411	CHECK VALVE-BRAKE BOOSTER	1
11B	V175 612 413	GROMMET FOR CHECK VALVE	1
12	VN 011 008 8	NUT, HEX. M 8	7
13	V175 612 151	BRAKE PRESSURE REGULATOR	1
14	VN 989 056 01	BOLT AND WASHER ASM.	1
15	VZVW 247 101	BRAKE FLUID 12 OZ. CAN	X
—	VB 000 100	BRAKE CYLINDER PASTE	X