

1984 GRUMMAN OLSON KUBVAN

ILLUSTRATED PARTS MANUAL

Battery
Cooling fan
Speedo cable
Turn signals
Temperature and Oil pressure
Starting motor
Glow plugs
Belt routing
Alternator

Portions of this manual are copyrighted 1983
Volkswagen of America, Inc.
Reprinted by permission of VWoA

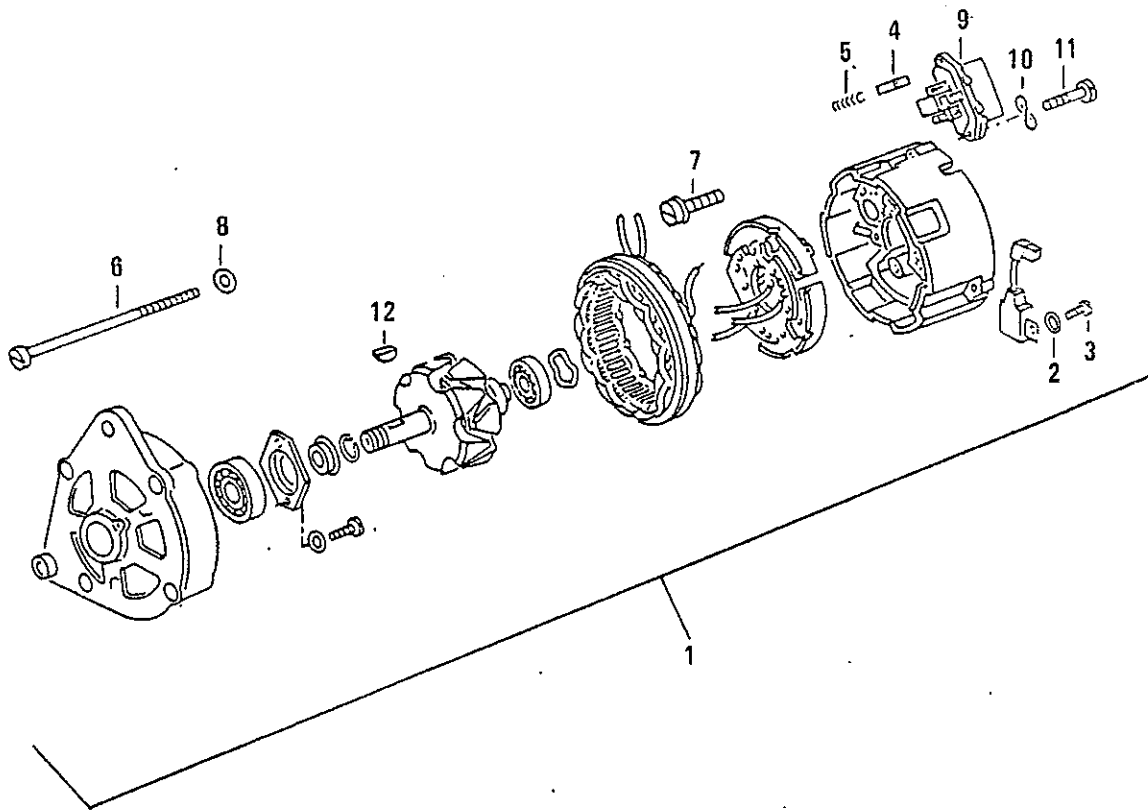


ILLUSTRATION 142

ALTERNATOR

KEY	PART NO.	DESCRIPTION	QUANTITY
1	V175 903 023 RX	ALTERNATOR 65 A REMANUFACTURED WITH PULLEY AND FAN (MOTOROLA) <u>ALTERNATOR SINGLE PARTS</u>	1
2	VN 011 523 7	WASHER A 5.3	1
3	VN 010 704 2	SCREW CHEESE HD. AM 5X10	1
—	V171 903 503	BRUSH ASSEMBLY FOR ALTERNATOR 1 THRU 4A	1
4	V059 903 515 B	CARBON BRUSH FOR ALTERNATOR 1 THRU 4A	1
(4)	V059 903 515 B	CARBON BRUSH FOR ALTERNATOR 5 THRU 6A	1
5	V059 903 519	PRESSURE SPRING FOR ALTERNATOR 1 THRU 4A	1
6	V059 903 555 A	SCREW FOR ALTERNATOR 1 THRU 4A	1
7	V059 903 555 C	SCREW FOR ALTERNATOR 1 THRU 4A	1
8	VN 011 523 7	WASHER A 5.3	2
9	V171 903 803	REGULATOR SWITCH (MOTOROLA) FOR ALTERNATOR 1 THRU 4A	1
10	VN 011 522 7	SPRING WASHER A 4.3	2
11	VN 014 125 1	SCREW CHEESE HD. AM 4X18	2
12	VN 012 708 2	WOODRUFF KEY 4X5	1

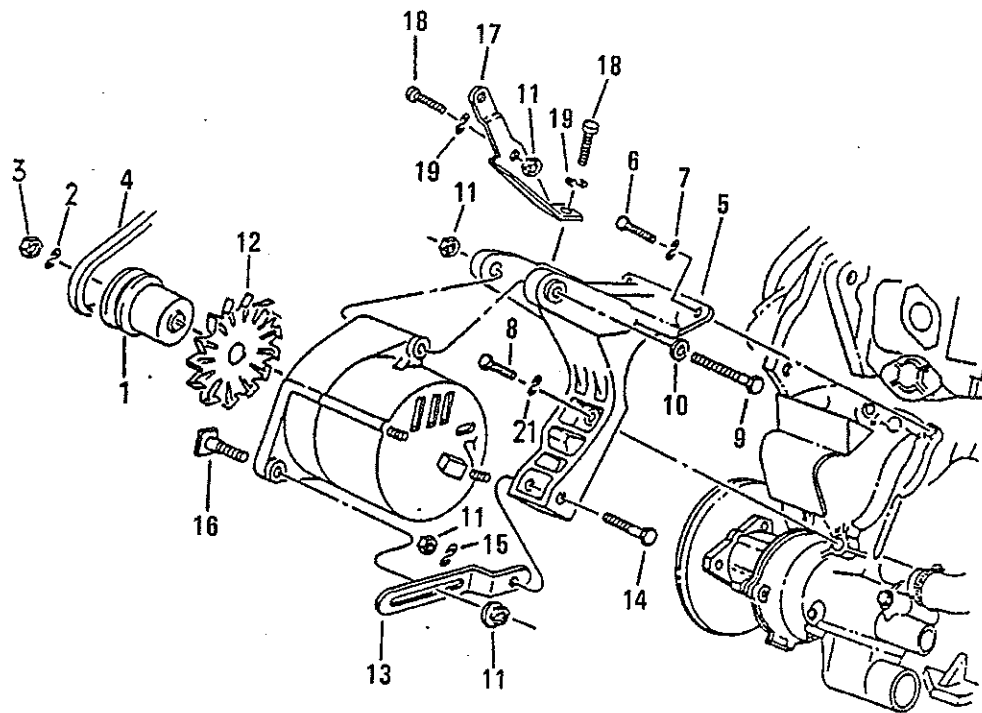


ILLUSTRATION 144
BRACKET INSTALLATION
FOR ALTERNATOR

KEY	PART NO.	DESCRIPTION	QUANTITY
1	V171 903 119 A	PULLEY FOR ALTERNATOR 3,3A	1
2	VN 012 233 3	SPRING WASHER B 14	1
3	VN 011 163 3	NUT, HEX. M 14X1.5	1
4	V068 903 137 B	V-BELT 10X875 MM	1
5	V068 903 141 F	BRACKET	1
6	VN 010 359 4	BOLT, HEX. HD. M 8X38	2
7	VN 012 241 11	SPRING WASHER B 8X15	2
8	VN 010 360 2	BOLT, HEX. HD. BM 8X60	1
9	VN 010 390 1	BOLT HEX. HD. M 8X95	1
10	VN 011 525 13	WASHER A 8.4	1
11	V481 827 233	LOCK NUT	4
12	V059 903 171	FAN FOR ALTERNATOR 3 THRU 6	1
13	V068 903 253 F	BRACKET	1
14	VN 010 350 8	BOLT, HEX. HD. M 8X50	1
15	VN 012 228 3	SPRING WASHER B 8	1
16	V052 903 285	BOLT 8X27	1
17	V068 903 148	SUPPORT BRACKET	1
18	VN 010 239 24	BOLT HEX. HD. M 8X18	2
19	VN 012 241 11	SPRING WASHER B 8X15	2

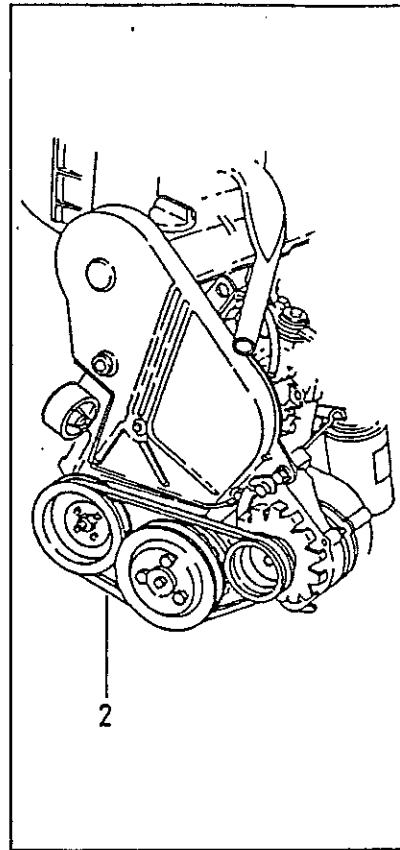
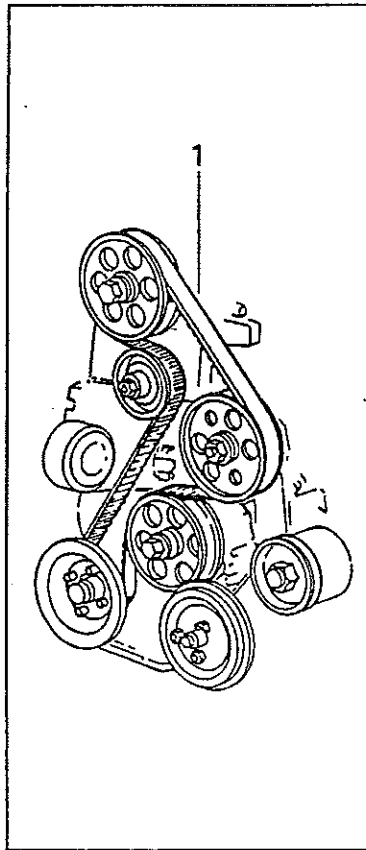


ILLUSTRATION 146
BELT ROUTING DIAGRAMS

KEY	PART NO.	DESCRIPTION	QUANTITY
1	V068 109 119 A	TIMING BELT	1
2	V068 903 137 B	ALTERNATOR BELT 10X875 MM	1

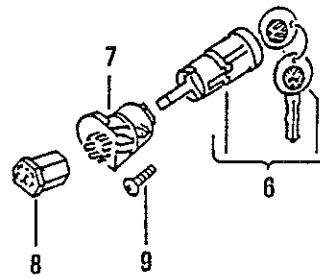
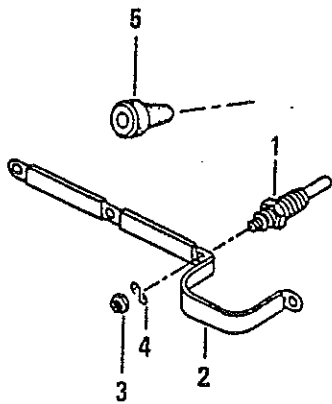


ILLUSTRATION 148
GLOW PLUG, CURRENT RAIL

KEY	PART NO.	DESCRIPTION	QUANTITY
1	VN 019 100 6	GLOW PLUG	4
2	V068 972 095 A	CURRENT RAIL	1
3	VN 011 005 4	NUT, HEX. M 5	4
4	VN 012 225 3	SPRING WASHER B5	4
5	VN 020 029 1	PLUG TO CLOSE OFF IGNITION COIL HOLES	2
6	V411 905 855 C	LOCK CYLINDER WITH KEYS FOR IGNITION STARTER SWITCH	1
7	V111 905 865 L	IGNITION STARTER SWITCH	1
8	V111 953 631	CONNECTOR FOR IGNITION SWITCH	1
9	VN 010 802 2	SCREW, FILL. HD. AM 3X6	1

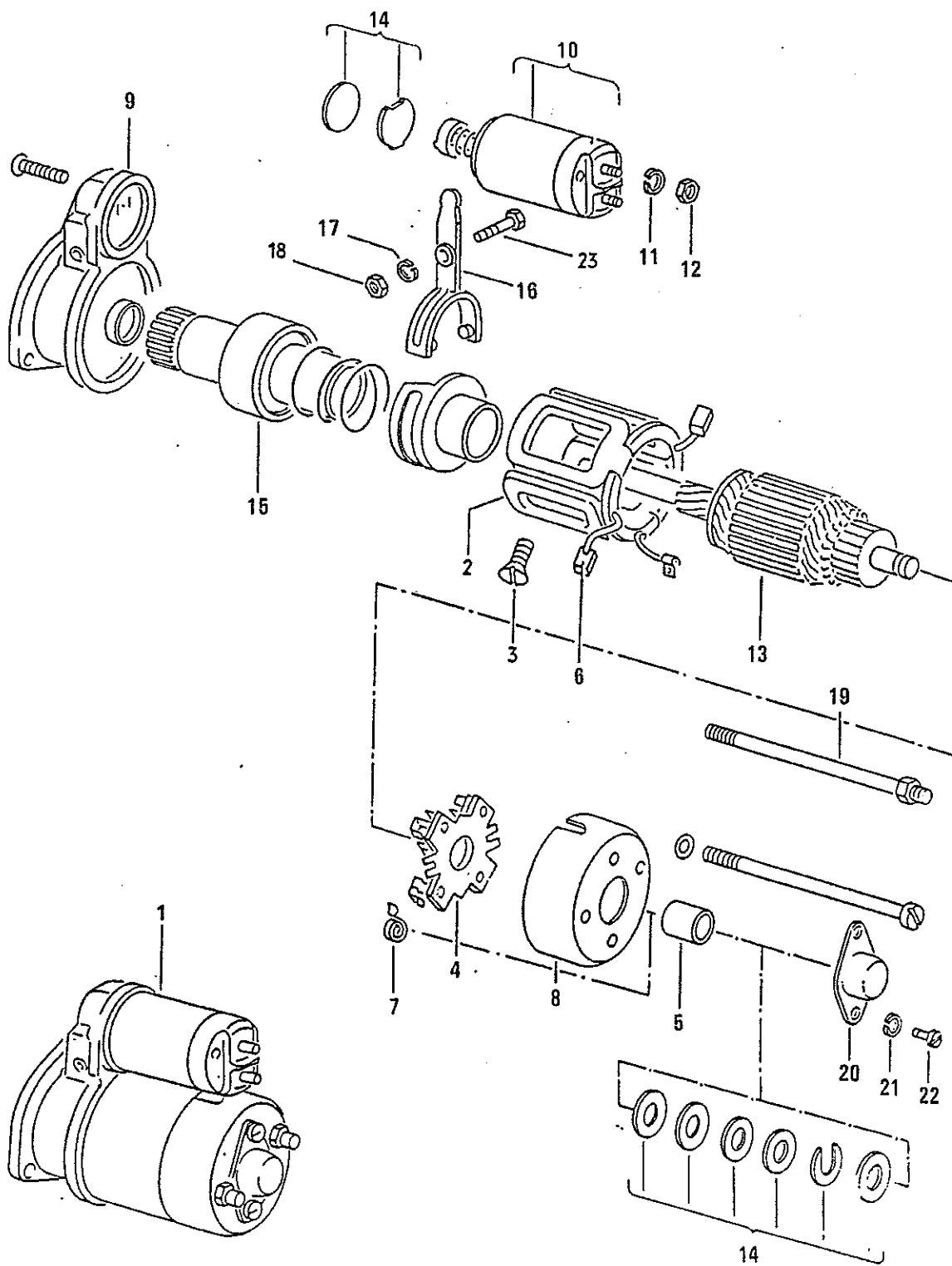


ILLUSTRATION 152

STARTING MOTOR

KEY	PART NO.	DESCRIPTION	QUANTITY
1	V068 911 023 E	STARTING MOTOR (MANUAL)	1
(1)	V068 911 023 EX	STARTING MOTOR REMANUFACTURED (MANUAL)	1
(1)	V068 911 023 F	STARTING MOTOR AUTO.	1
(1)	V068 911 023 FC	STARTING MOTOR REMANUFACTURED AUTO.	1
2	V068 911 115 C	FIELD COIL FOR STARTING MOTOR 5	1
3	VN 010 999 1	SCREW, CSK. HD. AM 10X13.5	4
4	V068 911 209 B	BRUSH HOLDER FOR STARTING MOTOR 5	1
5	V049 911 257 A	BUSHING FOR STARTER MOTOR 5	1
6	V068 911 215 A	1 SET OF CARBON BRUSHES FOR STARTING MOTOR 5	1
7	V068 911 219	PRESSURE SPRING FOR STARTER MOTOR 5	2
8	V056 911 211 A	COMMUTATOR BEARING FOR STARTING MOTOR 5	1
9	V068 911 255 D	INTERMEDIATE BEARING FOR STARTING MOTOR 5	1
10	V068 911 287 B	SOLENOID SWITCH FOR STARTING MOTOR 5	1
11	VN 012 008 6	LOCK RING B 8	2
12	VN 011 008 8	NUT, HEX. M 8	2
13	V068 911 311 D	ARMATURE FOR STARTING MOTOR 5	1
—	V049 911 257	BUSHING FOR STARTER MOTOR 5	1
14	V068 911 320	PARTS KIT FOR STARTING MOTOR 5	1
15	V055 911 335 D	DRIVE FOR STARTING MOTOR 5	1
16	V068 911 365 A	ENGAGING FORK FOR STARTING MOTOR 5	1
17	VN 012 006 4	LOCK RING B 6	1
18	VN 011 006 8	NUT, HEX. M 6	1
19	V068 911 491 C	SCREW FOR STARTING MOTOR 4	1
20	V068 911 495 A	CAP FOR STARTING MOTOR 4	1
21	VN 012 004 3	LOCK RING B 4	2
22	VN 014 121 2	SCREW, FILL. HD. AM 4X6	2

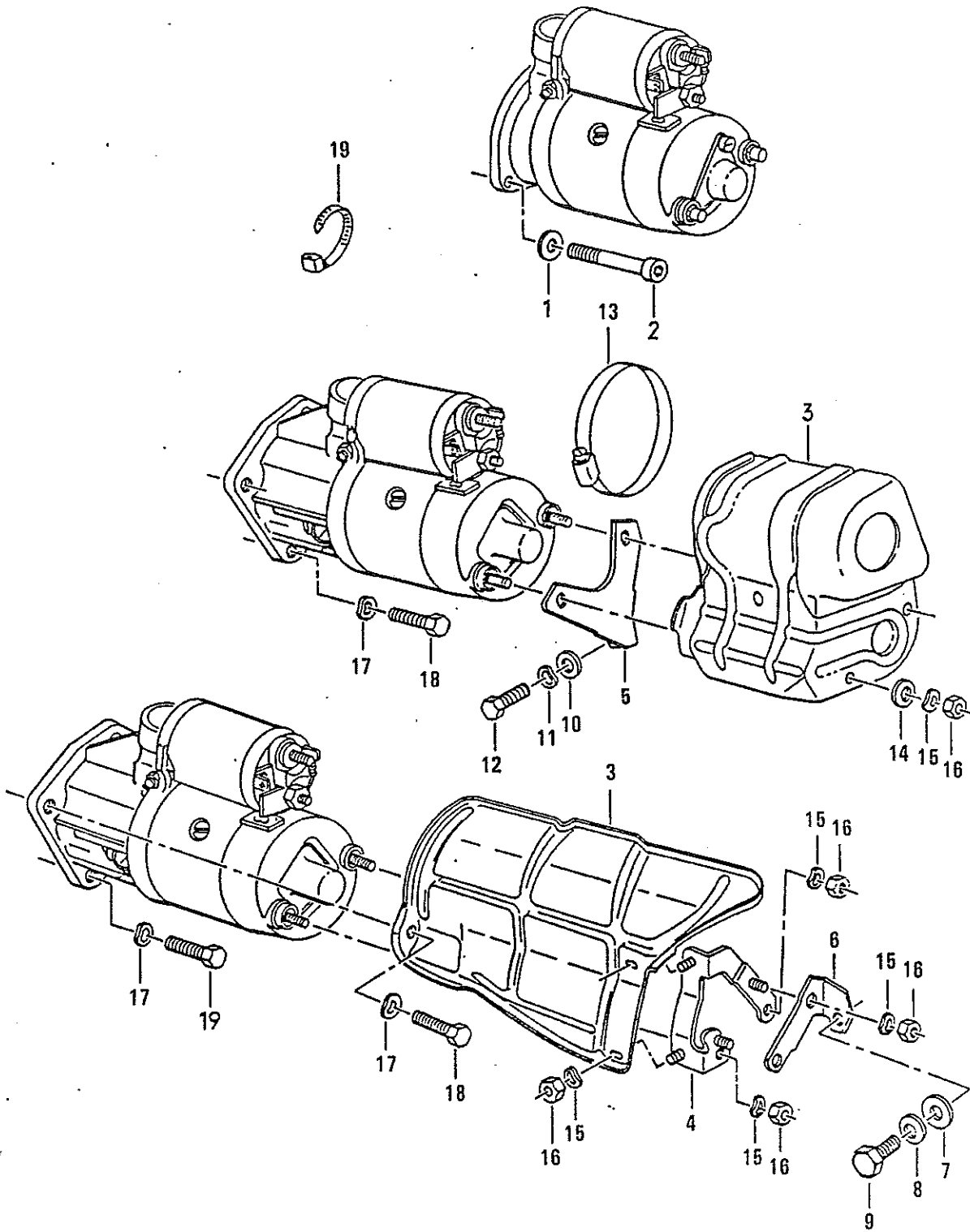


ILLUSTRATION 153
MOUNTING PARTS FOR
STARTING MOTOR

KEY	PART NO.	DESCRIPTION	QUANTITY
1	VN 011 560 2	WASHER 10.5	2
2	VN 044 760 1	SCREW, ALLEN HD. M 10X135	2
3	V068 911 049 A	COVER PLATE, AUTO.	1
4	V068 911 059	BRACKET	1
5	V055 911 063 A	BRACKET, AUTO.	1
6	V068 911 063 E	BRACKET	1
7	VN 011 525 13	WASHER A 8.4	1
8	VN 012 229 3	SPRING WASHER A 8X15	1
9	VN 010 239 24	BOLT, HEX. HD. M 8X18	1
10	VN 011 558 6	WASHER A 8.4	1
11	VN 012 229 3	SPRING WASHER A 8	1
12	VN 010 238 13	BOLT, HEX. HD. M 8X15	1
13	VN 024 508 1	CLAMP LA 80-100, AUTO	1
14	VN 011 666 3	WASHER B 6.4	2
15	VN 012 227 3	SPRING WASHER B 6	X
16	VN 011 006 8	NUT, HEX. M 6	X
17	VN 012 241 11	SPRING WASHER B 8X15	3
18	VN 010 244 11	BOLT, HEX. M 8X30	3
19	VN 020 902 1	TIE STRAP 6.5X210	1

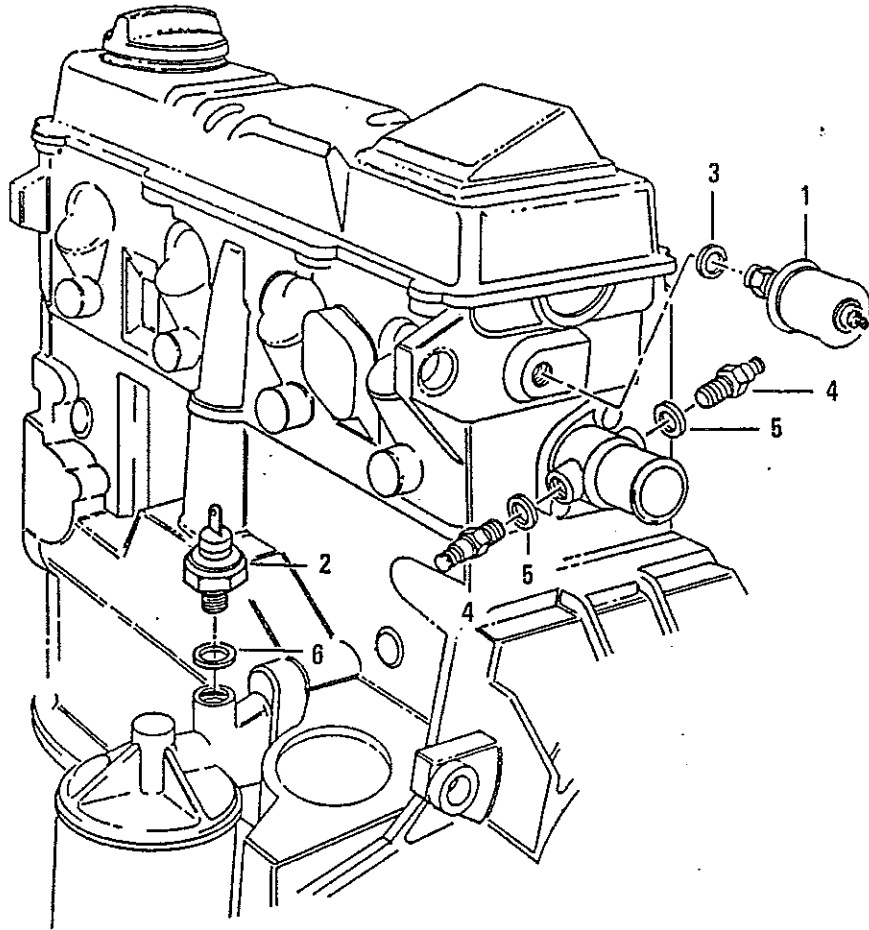


ILLUSTRATION 155

TEMPERATURE SWITCH AND
OIL PRESSURE SENDER

KEY	PART NO.	DESCRIPTION	QUANTITY
1	G11 01647	SENDER—OIL PRESSURE	1
2	V056 919 081 E	SWITCH—OIL PRESSURE (NOT USED)	1
3	VN 013 808 3	SEAL A 10X16	X
4	V175-919-501 G11-01645	TEMPERATURE SENSOR FOR COOLANT TEMPERATURE GAUGE, OIL TEMPERATURE GAUGE AND GLOW PLUG PREGLOW LIGHT	1
5	VN 013 808 2 G11-03581	SEAL A 10X14	X

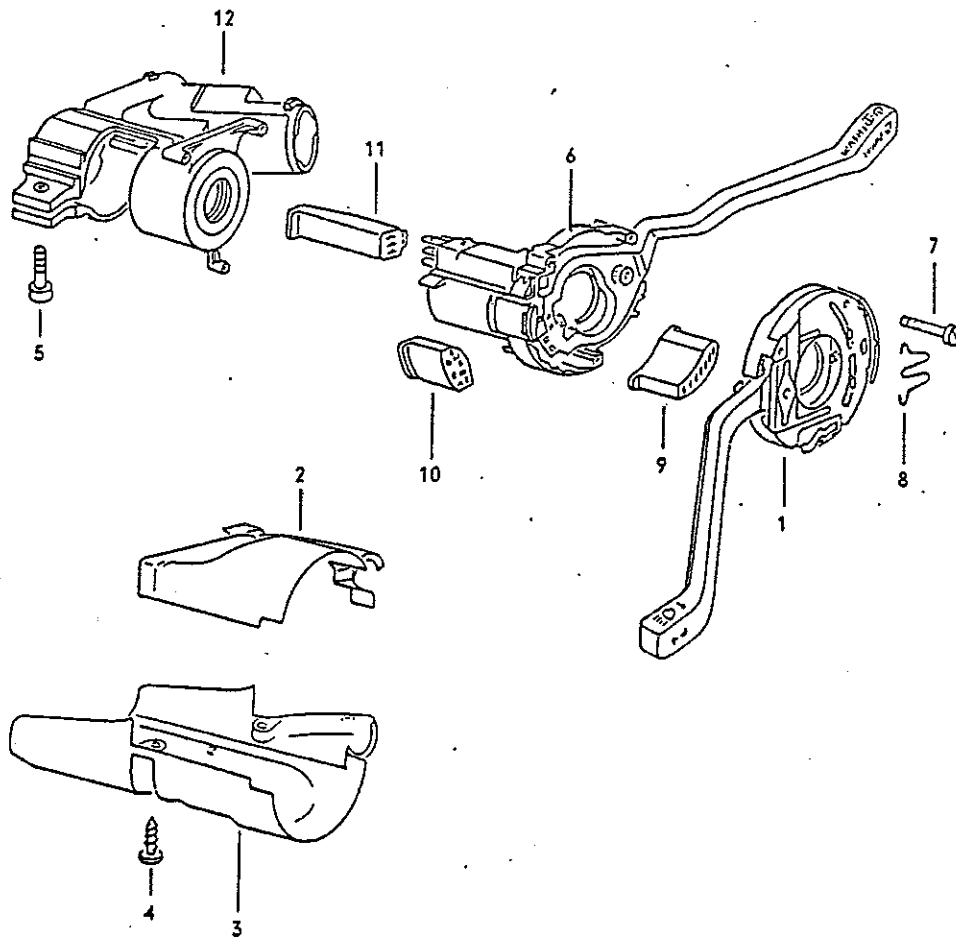


ILLUSTRATION 166

STEERING LOCK, TURN SIGNAL AND
WIPER/WASHER SWITCH

KEY	PART NO.	DESCRIPTION	QUANTITY
1	V321 953 513 01C	TURN SIGNAL SWITCH BLACK	1
2	V175 953 515 8GR	TRIM, UPPER PART MIDNIGHT BLUE	1
3	V175 953 516 8GR	TRIM, LOWER PART MIDNIGHT BLUD	1
4	VN 013 961 2	TAPP. SCREW. FILL. HD. B 3.9X13	2
5	VN 014 707 4	BOLT, ALLEN HD. M 8X15	1
6	V321 953 519 01C	SWITCH—WIPER AND WASHER BLACK	1
7	V321 953 573	SCREW	4
8	V171 953 575	SPRING	1
9	V171 953 633	CONNECTOR FOR TURN SIGNAL SWITCH	1
10	V171 953 635 A	CONNECTOF FOR SWITCH—WIPER AND WASHER	1
11	V171 953 637 A	CONNECTOR FOR LIGHTING	1
12	V321 905 851 D	STEERING LOCK WITH BALL- BEARING, BUT WITHOUT IGNITION STARTER SWITCH OR LOCK CYLINDER	1

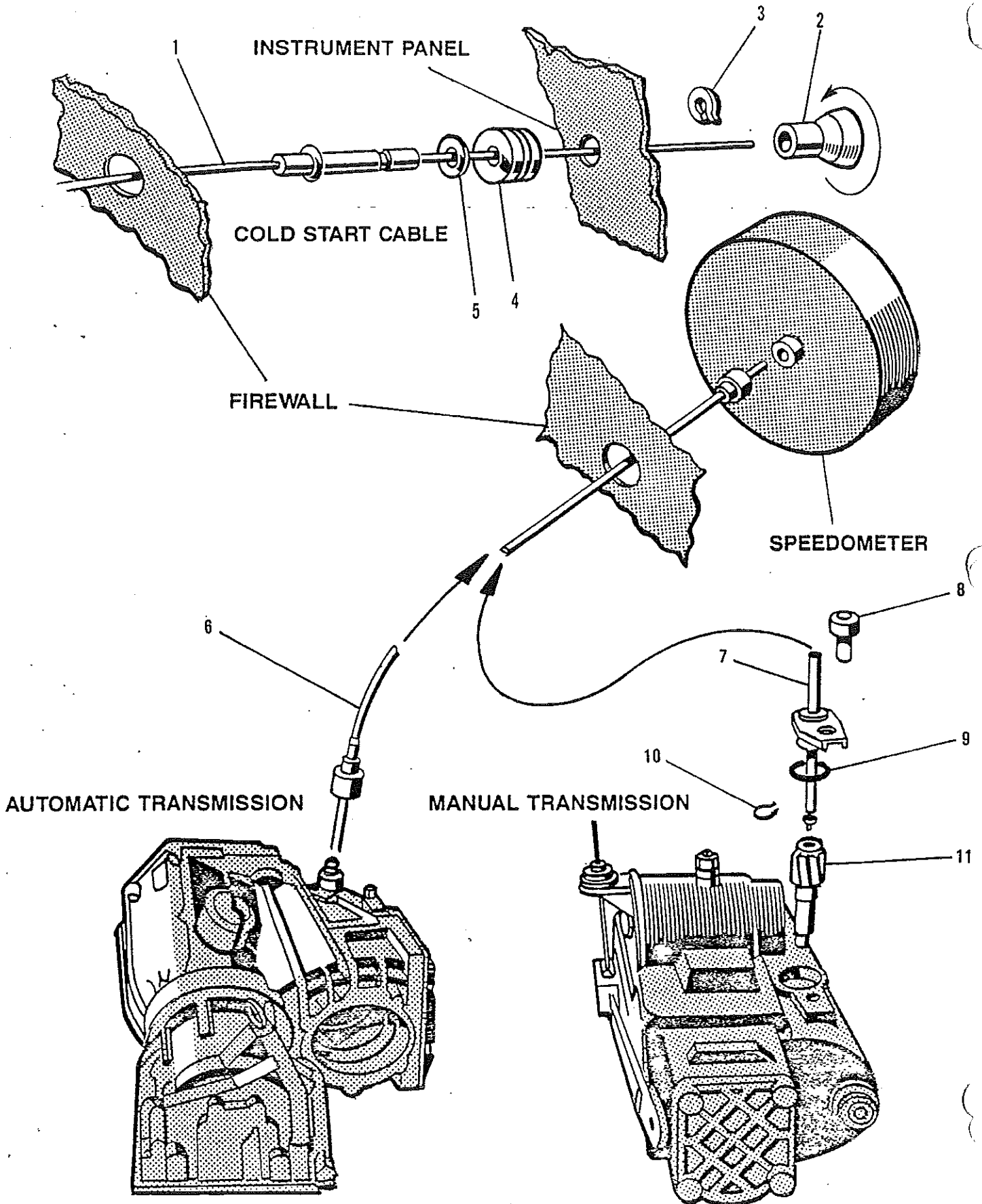


ILLUSTRATION 170

SPEEDOMETER CABLE/COLD START CABLE

KEY	PART NO.	DESCRIPTION	QUANTITY
1		COLD START CABLE	1
2	V17541541A	KNOB	1
3	GN012499.1	CLIP	1
4	GN900377.01	GRÖMMET	1
5	GN011527.4	WASHER	1
6	G1101635	SPEEDOMETER CABLE (MANUAL TRANSMISSION)	1
7	G1101636	SPEEDOMETER CABLE (AUTOMATIC TRANSMISSION)	1
8	GN090173.3	SCREW	1
9	G171957825	SEALING RING	1
10	GN900154.01	SNAP RING	1
11	G171957821	DRIVE PINION	1

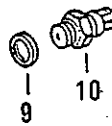
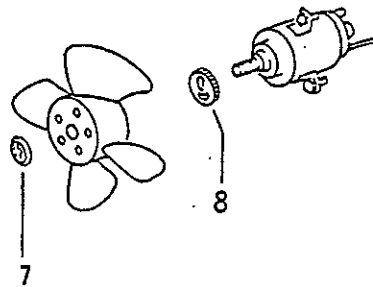
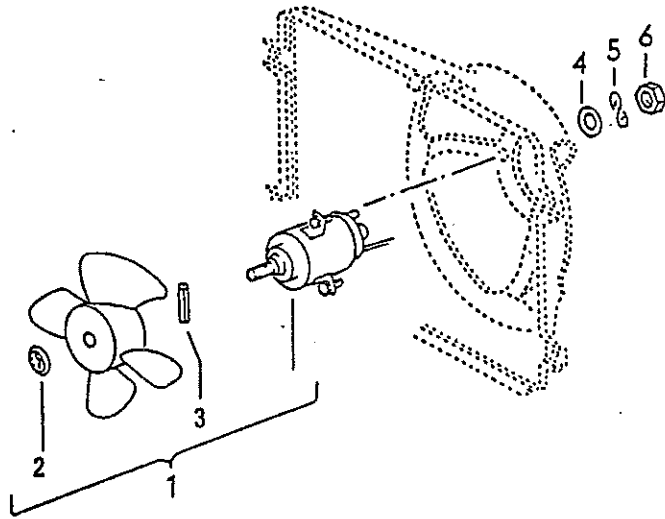
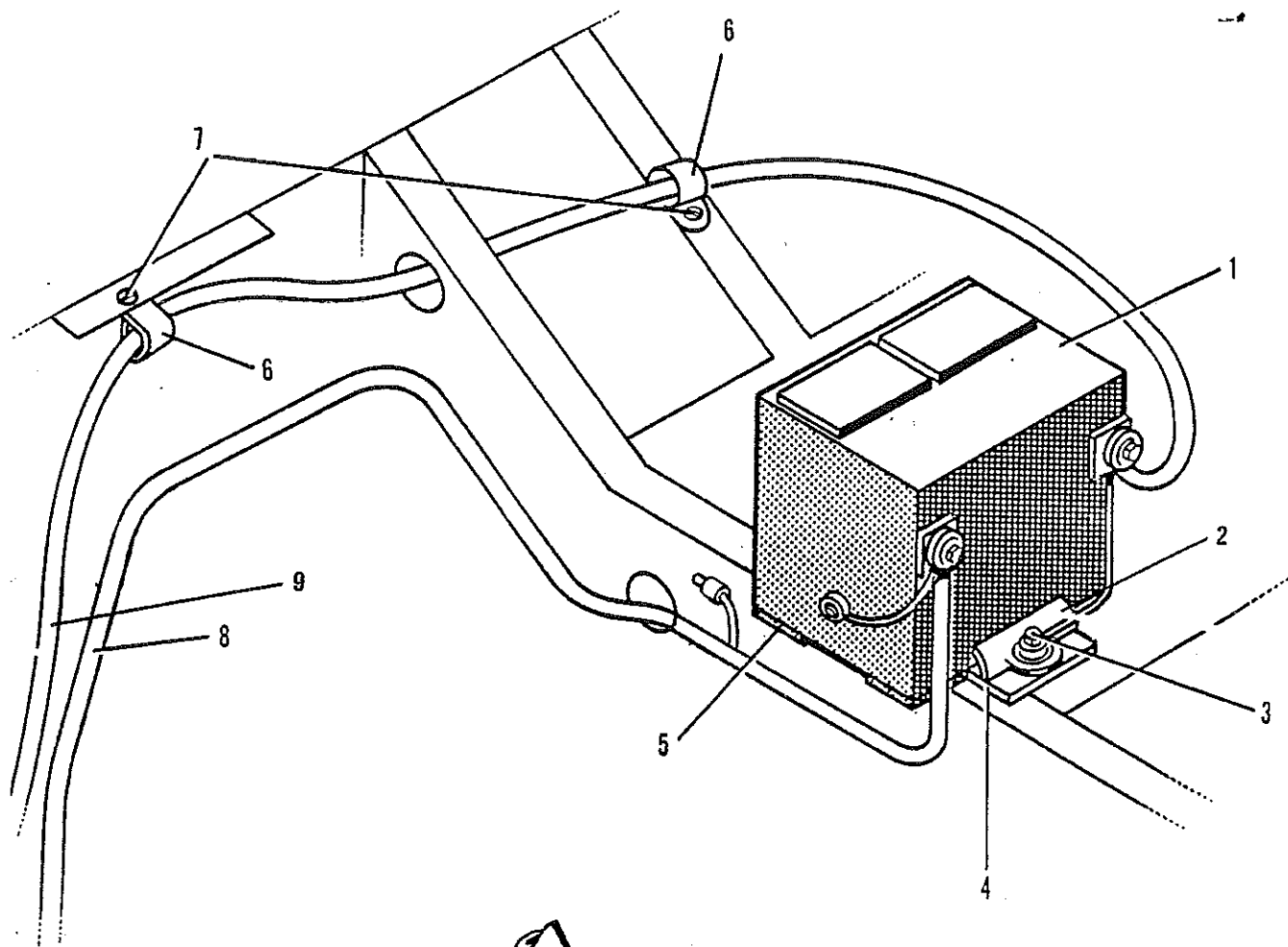


ILLUSTRATION 171

ELECTRIC FAN

KEY	PART NO.	DESCRIPTION	QUANTITY
1	V431 959 455 L	ELECTRIC FAN	1
2	V823 959 473	LOCK WASHER FOR ATTACHMENT	
		PIN FOR FAN (BOSCH)	1
3	V823 959 469	RETAINING PIN FOR ATTACHMENT	
		FAN (BOSCH)	1
4	VN 011 547 1	WASHER A 6.5	3
5	VN 012 226 5	SPRING WASHER B 6	3
6	VN 011 006 8	NUT, HEX. M 6	3
7	V431 959 473	SHAKE-PROOF WASHER FOR	
		ATTACHMENT PIN FOR FAN (AEG)	1
8	V431 959 471	CLAMPING WASHER FOR	
		ATTACHMENT PIN FOR FAN (AEG)	1
9	VN 043 808 2	SEALING WASHER A 22X29	1
10	V321 959 481 C OR D	THERMO SWITCH, DUAL POSITION	1
—	V175 959 475	HOSE, RADIATOR FAN COOLING FOR	
		DIESEL VEHICLES	1
—	175 959 491	CONNECTOR, COOLING FAN HOSE	
		TO CROSS PANEL	1



GROUND AT TRANSMISSION

ILLUSTRATION 174

BATTERY

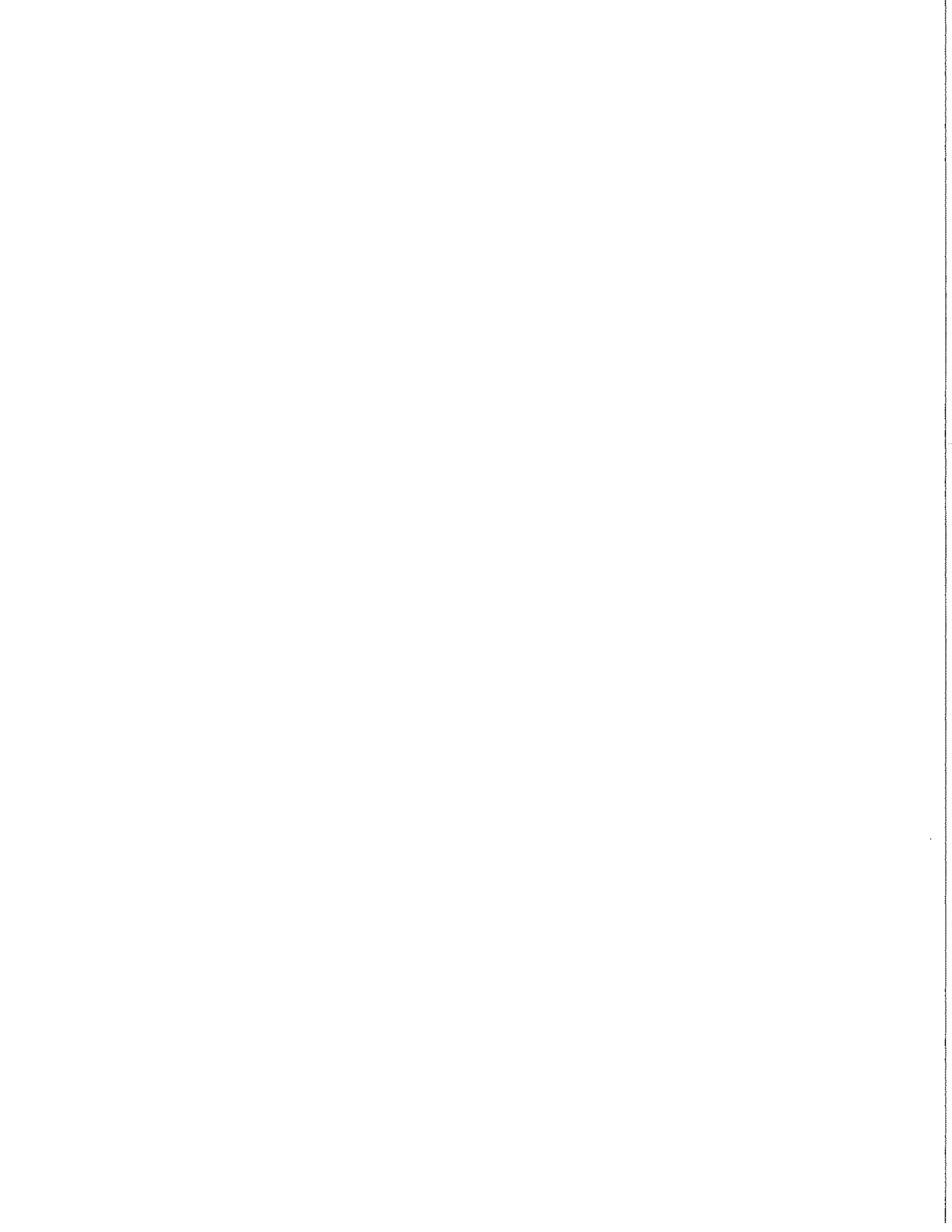
KEY	PART NO.	DESCRIPTION	QUANTITY
1	G11-11534	BATTERY SIDE POST	1
2	G11-01633	HOLD DOWN, BATTERY	1
3	G11-17026	MACH. SCREW	1
(3)	G11-17958	WASHER	1
(3)	G11-17320	NUT	1
4	G11-07171	ANTISQUEAK	X
5	G11-07089	ANTISQUEAK	X
6	G1111090	CLAMP	2
7	G1117722	MACH. SCREW	2
(7)	G1117307	NUT	2
8	G82262014	CABLE, POSITIVE	1
9	G82262013	CABLE, NEGATIVE	1
10	G11-17102	MACH. SCREW	1
11	G11-17957	WASHER	1
12	G11-17315	NUT	1

1984 GRUMMAN OLSON KUBVAN

ILLUSTRATED PARTS MANUAL

Battery
Cooling fan
Speedo cable
Turn signals
Temperature and Oil pressure
Starting motor
Glow plugs
Belt routing
Alternator

Portions of this manual are copyrighted 1983
Volkswagen of America, Inc.
Reprinted by permission of VWoA



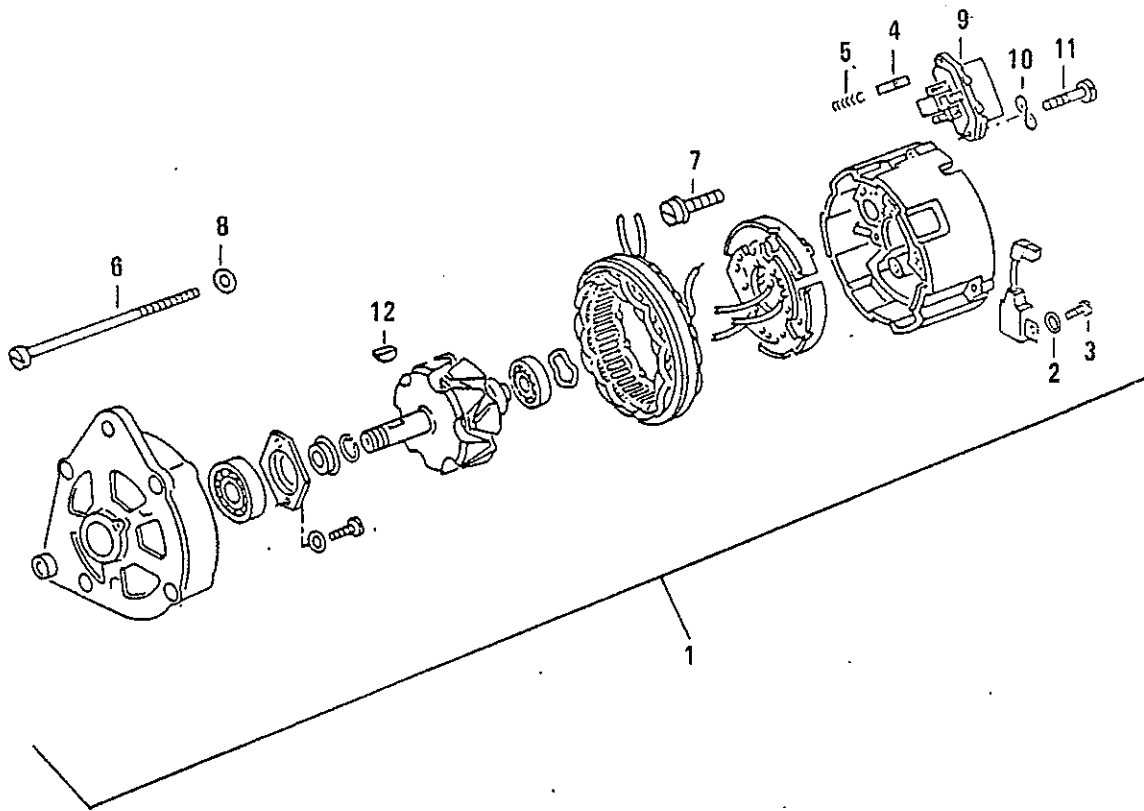


ILLUSTRATION 142

ALTERNATOR

KEY	PART NO.	DESCRIPTION	QUANTITY
1	V175 903 023 RX	ALTERNATOR 65 A REMANUFACTURED WITH PULLEY AND FAN (MOTOROLA) <u>ALTERNATOR SINGLE PARTS</u>	1
2	VN 011 523 7	WASHER A 5.3	1
3	VN 010 704 2	SCREW CHEESE HD. AM 5X10	1
—	V171 903 503	BRUSH ASSEMBLY FOR ALTERNATOR 1 THRU 4A	1
4	V059 903 515 B	CARBON BRUSH FOR ALTERNATOR 1 THRU 4A	1
(4)	V059 903 515 B	CARBON BRUSH FOR ALTERNATOR 5 THRU 6A	1
5	V059 903 519	PRESSURE SPRING FOR ALTERNATOR 1 THRU 4A	1
6	V059 903 555 A	SCREW FOR ALTERNATOR 1 THRU 4A	1
7	V059 903 555 C	SCREW FOR ALTERNATOR 1 THRU 4A	1
8	VN 011 523 7	WASHER A 5.3	2
9	V171 903 803	REGULATOR SWITCH (MOTOROLA) FOR ALTERNATOR 1 THRU 4A	1
10	VN 011 522 7	SPRING WASHER A 4.3	2
11	VN 014 125 1	SCREW CHEESE HD. AM 4X18	2
12	VN 012 708 2	WOODRUFF KEY 4X5	1

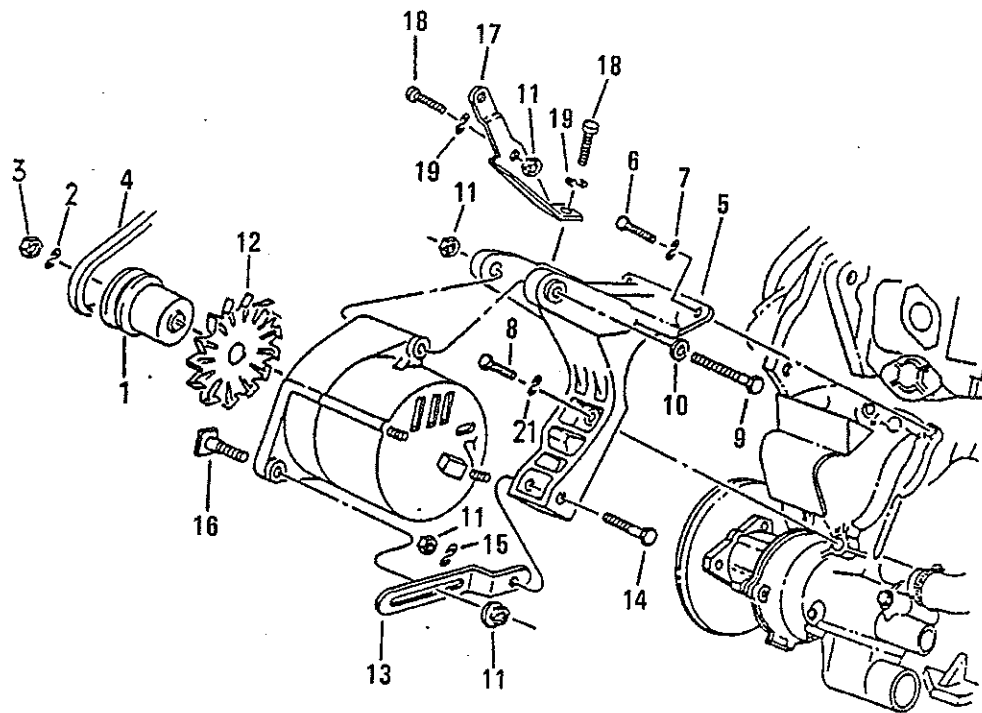


ILLUSTRATION 144
BRACKET INSTALLATION
FOR ALTERNATOR

KEY	PART NO.	DESCRIPTION	QUANTITY
1	V171 903 119 A	PULLEY FOR ALTERNATOR 3,3A	1
2	VN 012 233 3	SPRING WASHER B 14	1
3	VN 011 163 3	NUT, HEX. M 14X1.5	1
4	V068 903 137 B	V-BELT 10X875 MM	1
5	V068 903 141 F	BRACKET	1
6	VN 010 359 4	BOLT, HEX. HD. M 8X38	2
7	VN 012 241 11	SPRING WASHER B 8X15	2
8	VN 010 360 2	BOLT, HEX. HD. BM 8X60	1
9	VN 010 390 1	BOLT HEX. HD. M 8X95	1
10	VN 011 525 13	WASHER A 8.4	1
11	V481 827 233	LOCK NUT	4
12	V059 903 171	FAN FOR ALTERNATOR 3 THRU 6	1
13	V068 903 253 F	BRACKET	1
14	VN 010 350 8	BOLT, HEX. HD. M 8X50	1
15	VN 012 228 3	SPRING WASHER B 8	1
16	V052 903 285	BOLT 8X27	1
17	V068 903 148	SUPPORT BRACKET	1
18	VN 010 239 24	BOLT HEX. HD. M 8X18	2
19	VN 012 241 11	SPRING WASHER B 8X15	2

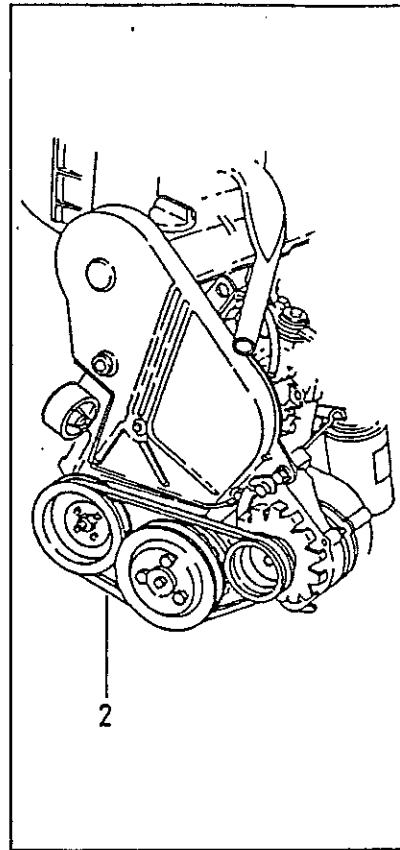
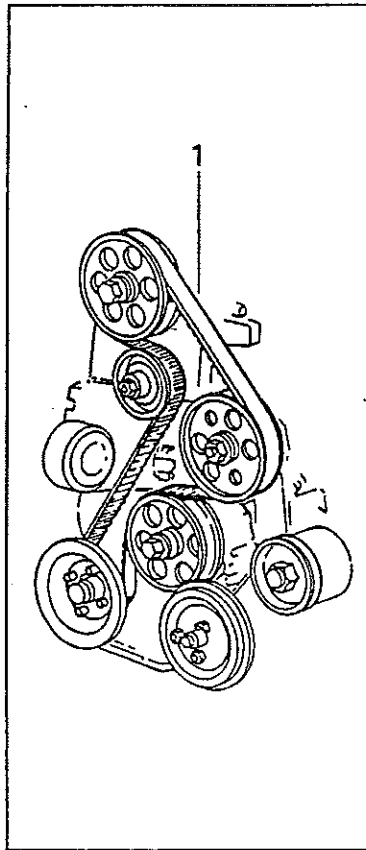


ILLUSTRATION 146
BELT ROUTING DIAGRAMS

KEY	PART NO.	DESCRIPTION	QUANTITY
1	V068 109 119 A	TIMING BELT	1
2	V068 903 137 B	ALTERNATOR BELT 10X875 MM	1

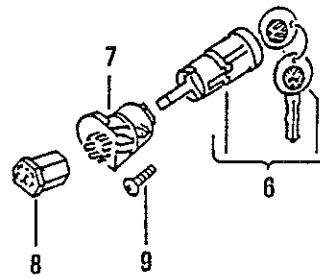
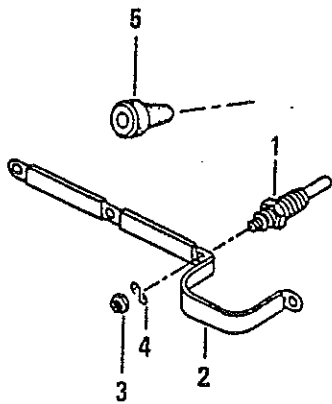


ILLUSTRATION 148
GLOW PLUG, CURRENT RAIL

KEY	PART NO.	DESCRIPTION	QUANTITY
1	VN 019 100 6	GLOW PLUG	4
2	V068 972 095 A	CURRENT RAIL	1
3	VN 011 005 4	NUT, HEX. M 5	4
4	VN 012 225 3	SPRING WASHER B5	4
5	VN 020 029 1	PLUG TO CLOSE OFF IGNITION COIL HOLES	2
6	V411 905 855 C	LOCK CYLINDER WITH KEYS FOR IGNITION STARTER SWITCH	1
7	V111 905 865 L	IGNITION STARTER SWITCH	1
8	V111 953 631	CONNECTOR FOR IGNITION SWITCH	1
9	VN 010 802 2	SCREW, FILL. HD. AM 3X6	1

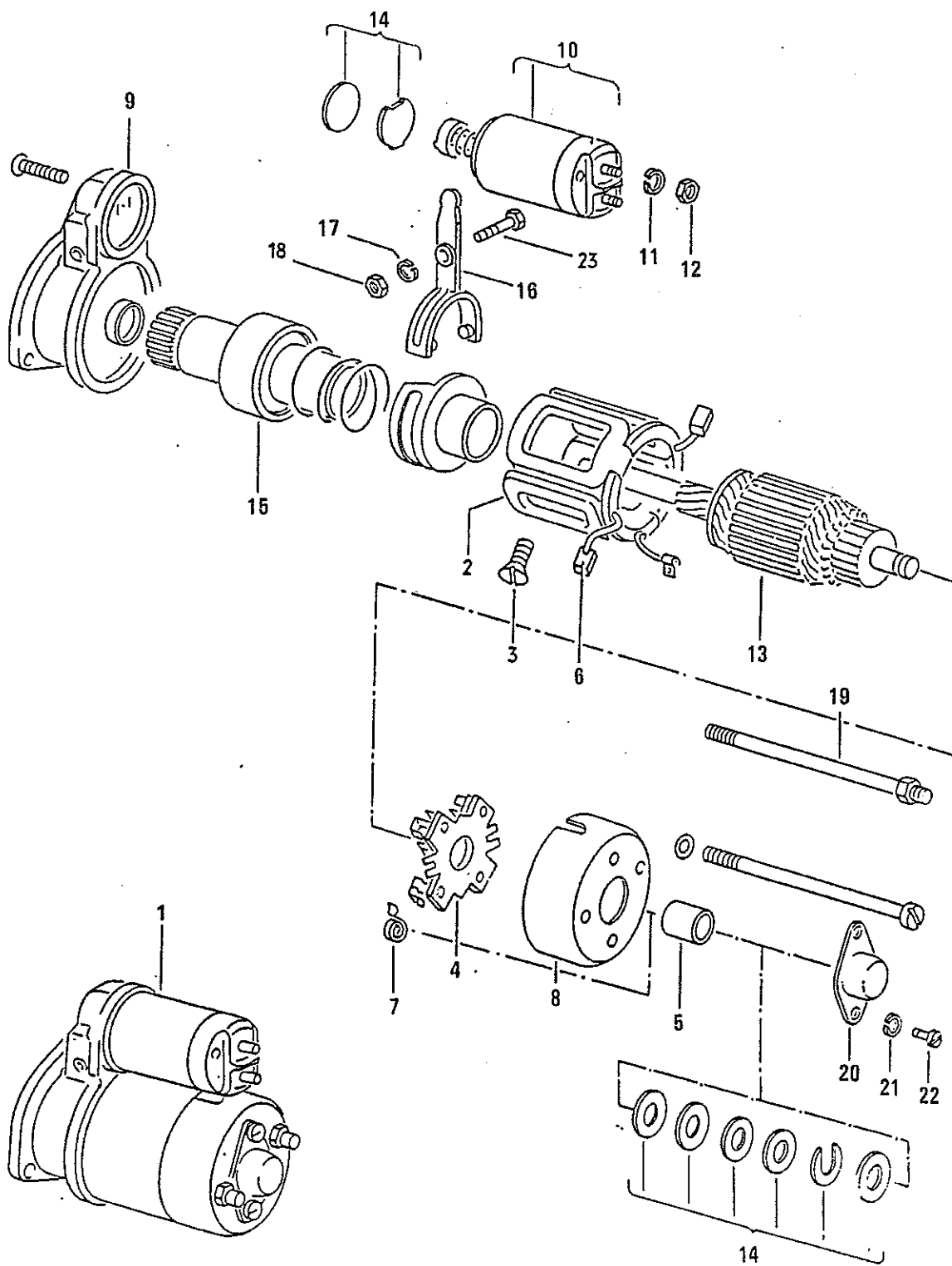


ILLUSTRATION 152

STARTING MOTOR

KEY	PART NO.	DESCRIPTION	QUANTITY
1	V068 911 023 E	STARTING MOTOR (MANUAL)	1
(1)	V068 911 023 EX	STARTING MOTOR REMANUFACTURED (MANUAL)	1
(1)	V068 911 023 F	STARTING MOTOR AUTO.	1
(1)	V068 911 023 FC	STARTING MOTOR REMANUFACTURED AUTO.	1
2	V068 911 115 C	FIELD COIL FOR STARTING MOTOR 5	1
3	VN 010 999 1	SCREW, CSK. HD. AM 10X13.5	4
4	V068 911 209 B	BRUSH HOLDER FOR STARTING MOTOR 5	1
5	V049 911 257 A	BUSHING FOR STARTER MOTOR 5	1
6	V068 911 215 A	1 SET OF CARBON BRUSHES FOR STARTING MOTOR 5	1
7	V068 911 219	PRESSURE SPRING FOR STARTER MOTOR 5	2
8	V056 911 211 A	COMMUTATOR BEARING FOR STARTING MOTOR 5	1
9	V068 911 255 D	INTERMEDIATE BEARING FOR STARTING MOTOR 5	1
10	V068 911 287 B	SOLENOID SWITCH FOR STARTING MOTOR 5	1
11	VN 012 008 6	LOCK RING B 8	2
12	VN 011 008 8	NUT, HEX. M 8	2
13	V068 911 311 D	ARMATURE FOR STARTING MOTOR 5	1
—	V049 911 257	BUSHING FOR STARTER MOTOR 5	1
14	V068 911 320	PARTS KIT FOR STARTING MOTOR 5	1
15	V055 911 335 D	DRIVE FOR STARTING MOTOR 5	1
16	V068 911 365 A	ENGAGING FORK FOR STARTING MOTOR 5	1
17	VN 012 006 4	LOCK RING B 6	1
18	VN 011 006 8	NUT, HEX. M 6	1
19	V068 911 491 C	SCREW FOR STARTING MOTOR 4	1
20	V068 911 495 A	CAP FOR STARTING MOTOR 4	1
21	VN 012 004 3	LOCK RING B 4	2
22	VN 014 121 2	SCREW, FILL. HD. AM 4X6	2

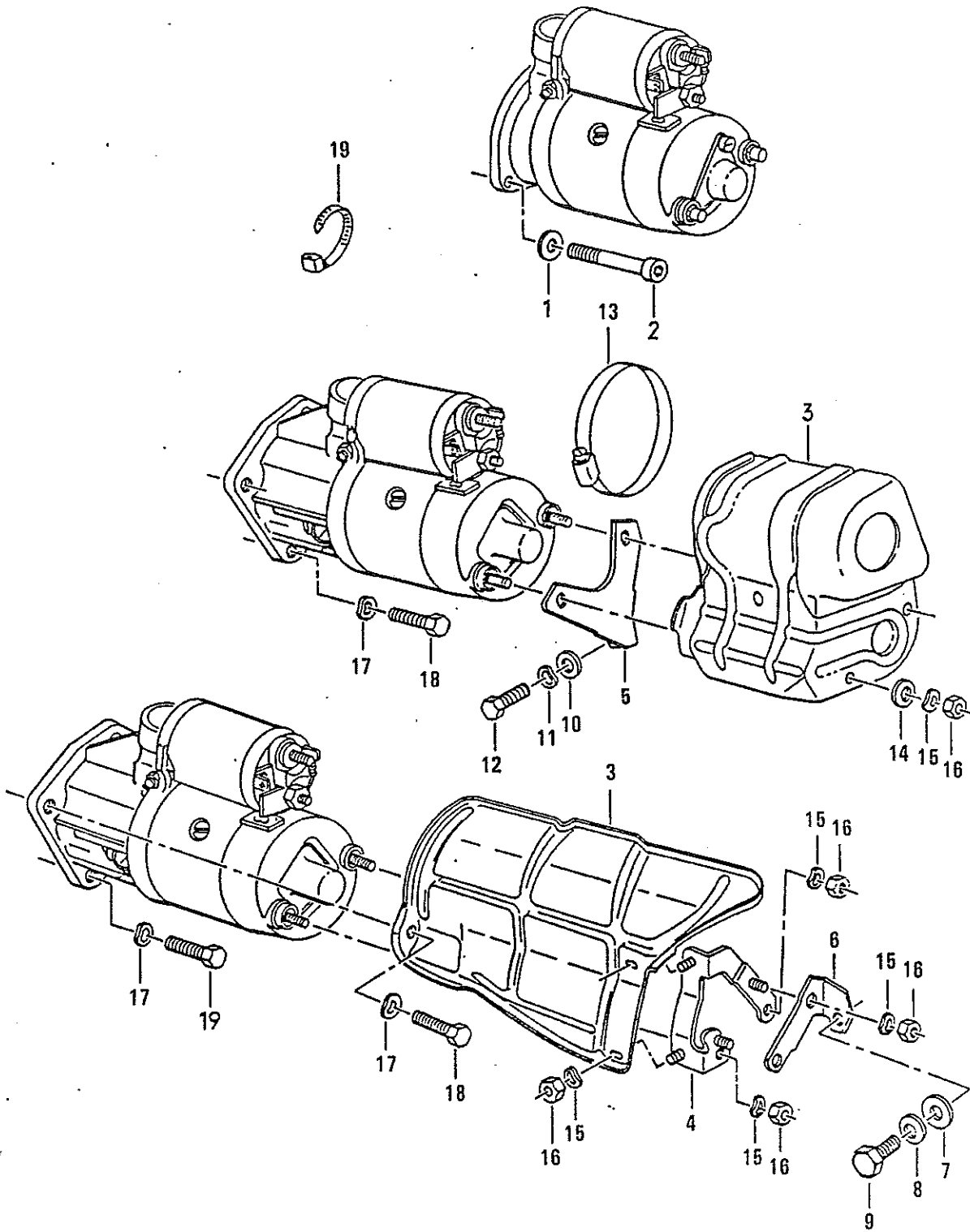


ILLUSTRATION 153
MOUNTING PARTS FOR
STARTING MOTOR

KEY	PART NO.	DESCRIPTION	QUANTITY
1	VN 011 560 2	WASHER 10.5	2
2	VN 044 760 1	SCREW, ALLEN HD. M 10X135	2
3	V068 911 049 A	COVER PLATE, AUTO.	1
4	V068 911 059	BRACKET	1
5	V055 911 063 A	BRACKET, AUTO.	1
6	V068 911 063 E	BRACKET	1
7	VN 011 525 13	WASHER A 8.4	1
8	VN 012 229 3	SPRING WASHER A 8X15	1
9	VN 010 239 24	BOLT, HEX. HD. M 8X18	1
10	VN 011 558 6	WASHER A 8.4	1
11	VN 012 229 3	SPRING WASHER A 8	1
12	VN 010 238 13	BOLT, HEX. HD. M 8X15	1
13	VN 024 508 1	CLAMP LA 80-100, AUTO	1
14	VN 011 666 3	WASHER B 6.4	2
15	VN 012 227 3	SPRING WASHER B 6	X
16	VN 011 006 8	NUT, HEX. M 6	X
17	VN 012 241 11	SPRING WASHER B 8X15	3
18	VN 010 244 11	BOLT, HEX. M 8X30	3
19	VN 020 902 1	TIE STRAP 6.5X210	1

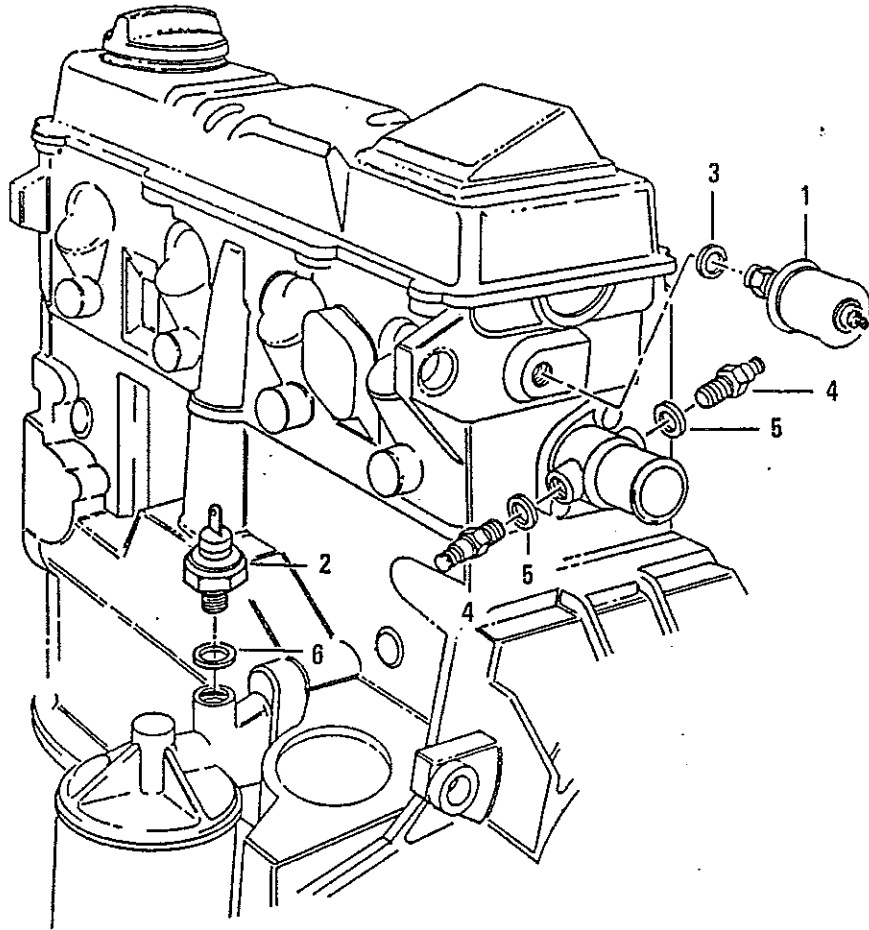


ILLUSTRATION 155

TEMPERATURE SWITCH AND
OIL PRESSURE SENDER

KEY	PART NO.	DESCRIPTION	QUANTITY
1	G11 01647	SENDER—OIL PRESSURE	1
2	V056 919 081 E	SWITCH—OIL PRESSURE (NOT USED)	1
3	VN 013 808 3	SEAL A 10X16	X
4	V175-919-501 G11-01645	TEMPERATURE SENSOR FOR COOLANT TEMPERATURE GAUGE, OIL TEMPERATURE GAUGE AND GLOW PLUG PREGLOW LIGHT	1
5	VN 013 808 2 G11-03581	SEAL A 10X14	X

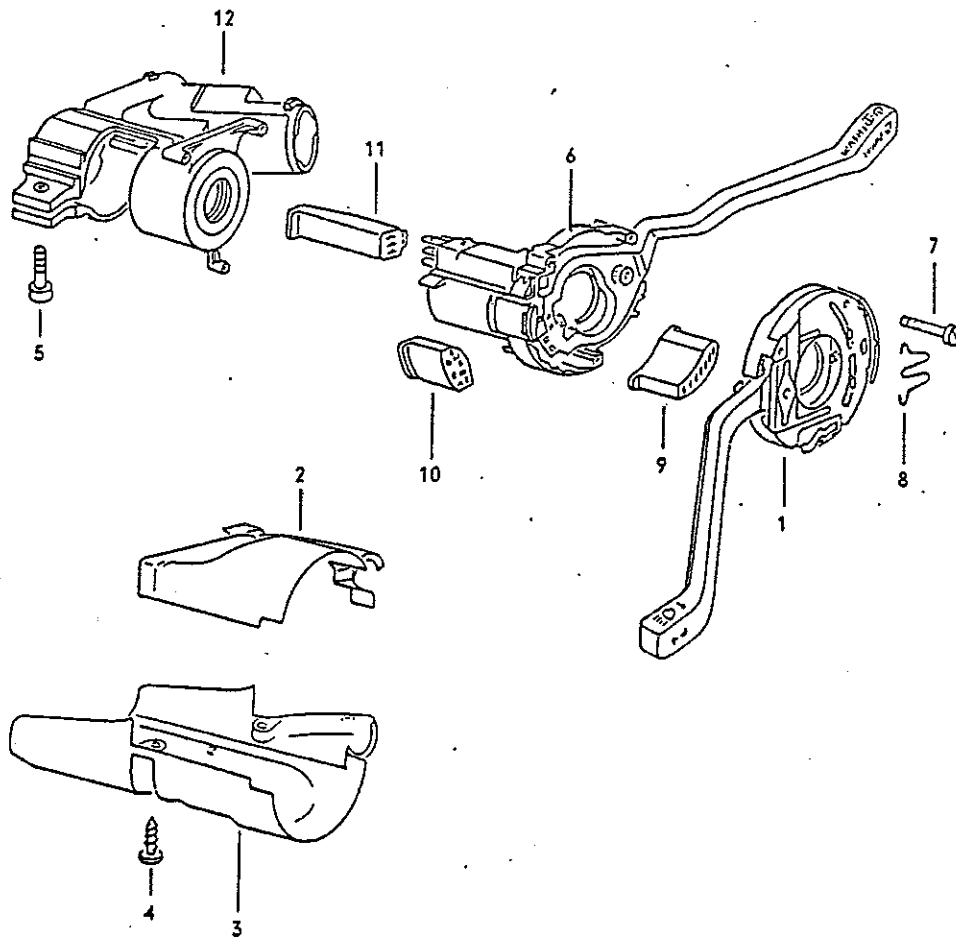


ILLUSTRATION 166

STEERING LOCK, TURN SIGNAL AND
WIPER/WASHER SWITCH

KEY	PART NO.	DESCRIPTION	QUANTITY
1	V321 953 513 01C	TURN SIGNAL SWITCH BLACK	1
2	V175 953 515 8GR	TRIM, UPPER PART MIDNIGHT BLUE	1
3	V175 953 516 8GR	TRIM, LOWER PART MIDNIGHT BLUD	1
4	VN 013 961 2	TAPP. SCREW. FILL. HD. B 3.9X13	2
5	VN 014 707 4	BOLT, ALLEN HD. M 8X15	1
6	V321 953 519 01C	SWITCH—WIPER AND WASHER BLACK	1
7	V321 953 573	SCREW	4
8	V171 953 575	SPRING	1
9	V171 953 633	CONNECTOR FOR TURN SIGNAL SWITCH	1
10	V171 953 635 A	CONNECTOF FOR SWITCH—WIPER AND WASHER	1
11	V171 953 637 A	CONNECTOR FOR LIGHTING	1
12	V321 905 851 D	STEERING LOCK WITH BALL- BEARING, BUT WITHOUT IGNITION STARTER SWITCH OR LOCK CYLINDER	1

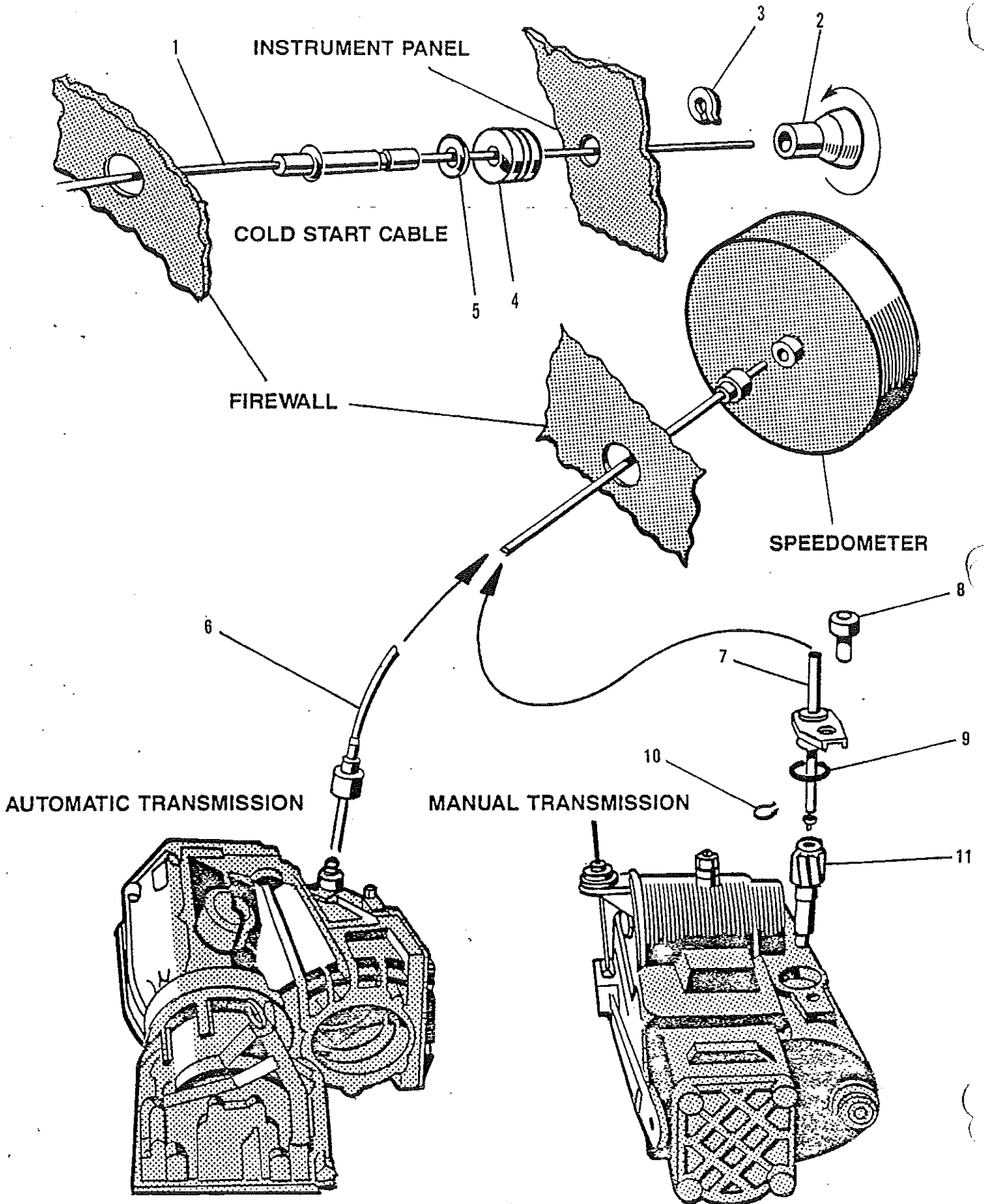


ILLUSTRATION 170

SPEEDOMETER CABLE/COLD START CABLE

KEY	PART NO.	DESCRIPTION	QUANTITY
1		COLD START CABLE	1
2	V17541541A	KNOB	1
3	GN012499.1	CLIP	1
4	GN900377.01	GRÖMMET	1
5	GN011527.4	WASHER	1
6	G1101635	SPEEDOMETER CABLE (MANUAL TRANSMISSION)	1
7	G1101636	SPEEDOMETER CABLE (AUTOMATIC TRANSMISSION)	1
8	GN090173.3	SCREW	1
9	G171957825	SEALING RING	1
10	GN900154.01	SNAP RING	1
11	G171957821	DRIVE PINION	1

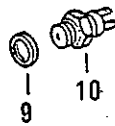
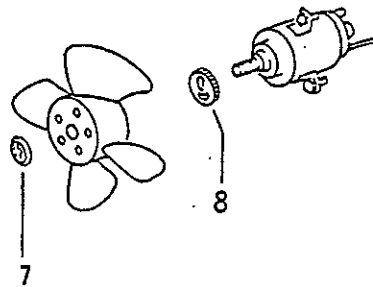
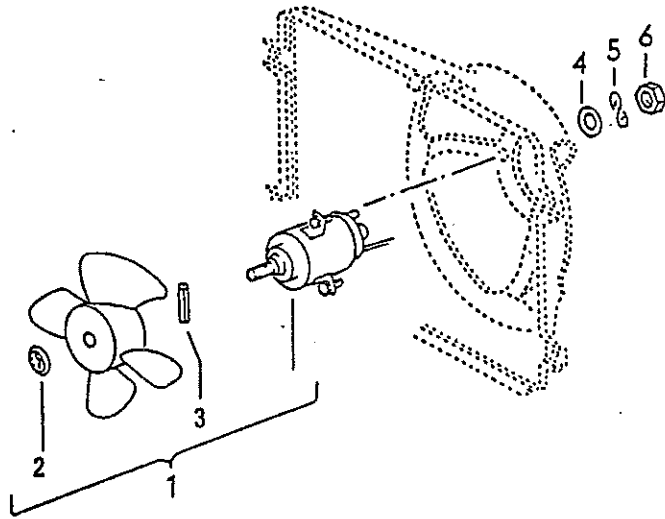
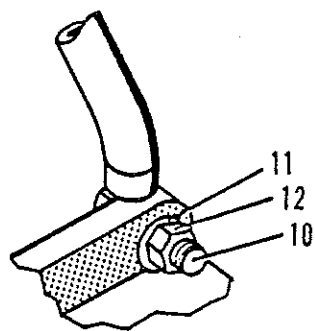
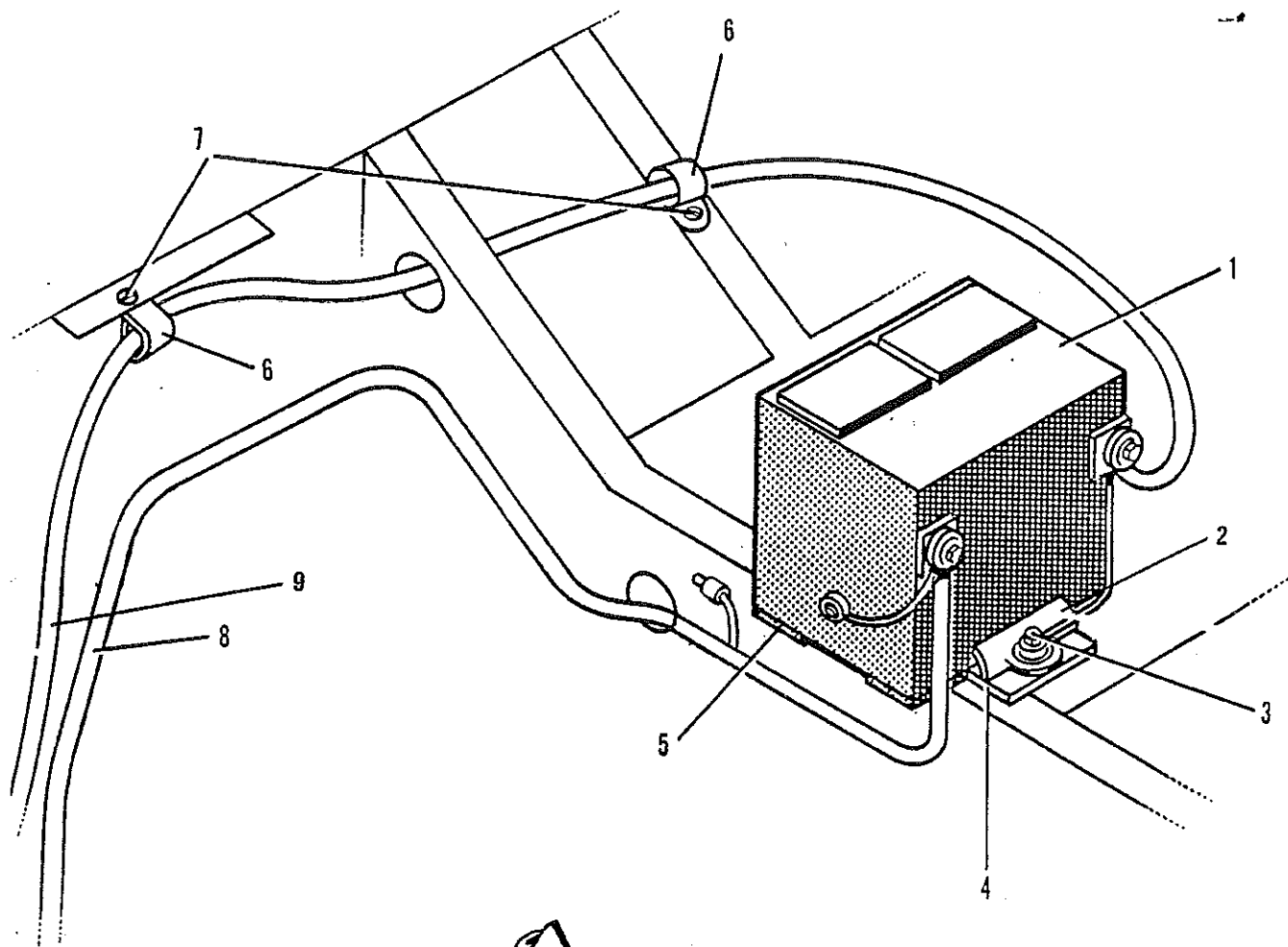


ILLUSTRATION 171

ELECTRIC FAN

KEY	PART NO.	DESCRIPTION	QUANTITY
1	V431 959 455 L	ELECTRIC FAN	1
2	V823 959 473	LOCK WASHER FOR ATTACHMENT	
		PIN FOR FAN (BOSCH)	1
3	V823 959 469	RETAINING PIN FOR ATTACHMENT	
		FAN (BOSCH)	1
4	VN 011 547 1	WASHER A 6.5	3
5	VN 012 226 5	SPRING WASHER B 6	3
6	VN 011 006 8	NUT, HEX. M 6	3
7	V431 959 473	SHAKE-PROOF WASHER FOR	
		ATTACHMENT PIN FOR FAN (AEG)	1
8	V431 959 471	CLAMPING WASHER FOR	
		ATTACHMENT PIN FOR FAN (AEG)	1
9	VN 043 808 2	SEALING WASHER A 22X29	1
10	V321 959 481 C OR D	THERMO SWITCH, DUAL POSITION	1
—	V175 959 475	HOSE, RADIATOR FAN COOLING FOR	
		DIESEL VEHICLES	1
—	175 959 491	CONNECTOR, COOLING FAN HOSE	
		TO CROSS PANEL	1



GROUND AT TRANSMISSION

ILLUSTRATION 174

BATTERY

KEY	PART NO.	DESCRIPTION	QUANTITY
1	G11-11534	BATTERY SIDE POST	1
2	G11-01633	HOLD DOWN, BATTERY	1
3	G11-17026	MACH. SCREW	1
(3)	G11-17958	WASHER	1
(3)	G11-17320	NUT	1
4	G11-07171	ANTISQUEAK	X
5	G11-07089	ANTISQUEAK	X
6	G1111090	CLAMP	2
7	G1117722	MACH. SCREW	2
(7)	G1117307	NUT	2
8	G82262014	CABLE, POSITIVE	1
9	G82262013	CABLE, NEGATIVE	1
10	G11-17102	MACH. SCREW	1
11	G11-17957	WASHER	1
12	G11-17315	NUT	1